

ECOMAX™

EM18115

5 GAL. STAINLESS STEEL WET/DRY VACUUM

HÚMEDA/SECA ASPIRADORA DE ACERO INOXIDABLE DE 18,9 L

ASPIRATEUR HUMIDE/SEC EN ACIER INOXYDABLE DE 18,9 L



Instruction Manual

Manual de instrucciones

Guide D'utilisation

www.altonindustries.com

If you have questions or comments, contact us.

Si tiene dudas o comentarios, contáctenos.

Pour toute question ou tout commentaire, nous contacter.



1-888-899-0146

ENGLISH

English (original instructions)	1
--	----------

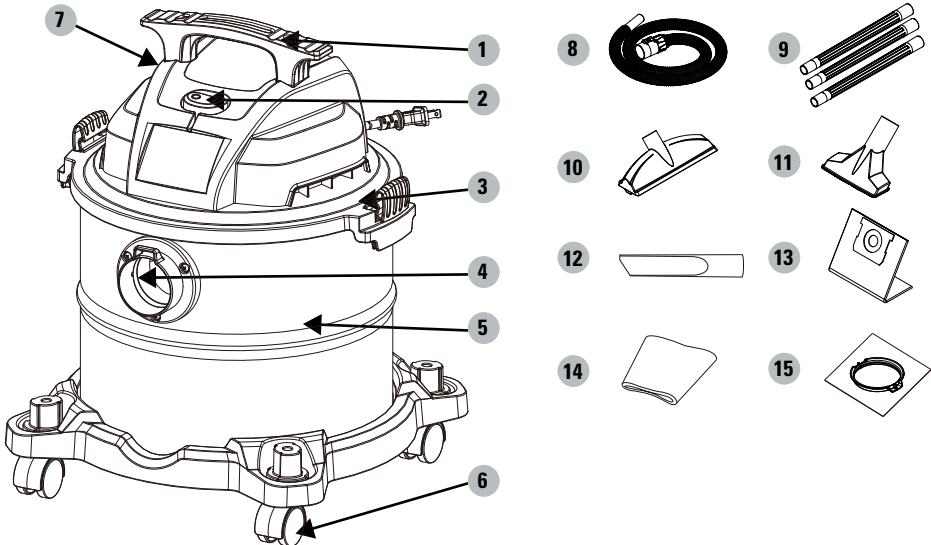
Español (traducido de las instrucciones originales)	10
--	-----------

Français (traduction de la notice d'instructions originale)	19
--	-----------

DEFINITIONS: SAFETY ALERT SYMBOLS AND WORDS

This instruction manual uses the following safety alert symbols and words to alert people to hazardous situations and the risk of personal injury or property damage.

- ⚠ DANGER:** Indicates an imminently hazardous situation which, if not avoided, **will** result in **death or serious injury**.
- ⚠ WARNING:** Indicates a potentially hazardous situation which, if not avoided, **could** result in **death or serious injury**.
- ⚠ CAUTION:** Indicates a potentially hazardous situation which, if not avoided, **may** result in **minor or moderate injury**.
- NOTICE:** Indicates a practice **not related to personal injury** which, if not avoided, **may** result in **property damage**.



- 1 Handle
- 2 Power switch
- 3 Lid latch
- 4 Vacuum port
- 5 Dust tank
- 6 Caster
- 7 Blower port (invisible)
- 8 1-1/4" x 5' Hose (13-3301)
- 9 Extension wand (25-1205)
- 10 Floor nozzle (13-1570)
- 11 Gulper nozzle (13-1588)
- 12 Crevice nozzle (13-1508)
- 13 Disposable filter bag (19-3100) - For dry pick up only
- 14 Foam filter (19-1600) - For wet pick up
- 15 Reusable dry filter with clamp ring (19-1500) - For dry pick up only

⚠ CAUTION: Please always apply the appropriate filter when using the vacuum to avoid any material or debris getting into the motor housing.

⚠ WARNING: Read all safety warnings and all instructions. Failure to follow the warnings and instructions may result in electric shock, fire and/or serious injury.

👤 WARNING: To reduce the risk of injury, read the instruction manual.

If you have questions or comments, contact us at:
1-888-899-0146.

IMPORTANT SAFETY INSTRUCTIONS

⚠ WARNING: When using electric appliances, always follow basic safety precautions to reduce the risk of fire, electric shock and personal injury, including the following:

BEFORE USING THIS APPLIANCE, READ AND FOLLOW ALL INSTRUCTIONS.

⚠ WARNING: To reduce the risk of electric shock. Do not expose to rain. Store indoors.

- Do not leave the appliance when it is connected to a power source. Unplug it from outlet when not in use and before servicing.
- Do not allow the appliance to be used as a toy. Pay close attention when the appliance is used by or near children.
- Use this appliance **ONLY** as described in the manual. Use only ECOMAX recommended attachments.
- Do not use this appliance with a damaged cord or plug. If the appliance is not working correctly, or if it has been dropped, damaged, left outdoors, or dropped in water, return it to a service center.
- Do not pull or carry this appliance by the cord, use the cord as a handle, close a door on the cord, or pull the cord around sharp edges or corners. Do not run the appliance over the cord. Keep cord away from heated surfaces.
- Do not unplug this appliance by pulling on the cord. To unplug, grasp the plug, not the cord.
- Do not handle the plug or appliance with wet hands.
- Do not put any objects into the openings of the appliance. Do not use the appliance with any opening blocked; keep free of dust, lint, hair and anything else that may reduce air flow.
- Keep hair, loose clothing, fingers, and all body parts away from the openings and moving parts.
- Turn off all controls before unplugging appliance.
- Take extra care when cleaning on stairs.
- Do not use the appliance to pick up flammable or combustible liquids, such as gasoline, or use in areas where flammable or combustible liquids are present.
- Static shocks are possible in dry areas or when the relative humidity of the air is low. This is only temporary and does not affect the use of the vacuum. To reduce the frequency of static shocks, add moisture to the air with a console, installed humidifier or use anti-static hose (standard on some models).
- To avoid spontaneous combustion, empty the dust tank after each use.

SAVE THESE INSTRUCTIONS ADDITIONAL SAFETY RULES

⚠ WARNING

- Do not pick up anything that is burning or smoking, such as cigarettes, matches, or hot ashes.
- Do not use to vacuum combustible explosive materials, such as coal, grain, or other finely divided combustible materials.
- Do not use to vacuum hazardous, toxic or carcinogenic materials, such as asbestos or pesticide.
- Never pick up explosive liquids (e.g. gasoline, diesel fuel, heating oil, paint thinner, etc.), acids or solvents.
- Do not use vacuum without filters in place.
- Some wood contains preservatives which can be toxic. Take extra care to prevent inhalation and skin contact when working with these materials. Request and follow any safety information available from the material supplier.
- Do not use vacuum as a step ladder.
- Do not place heavy objects on vacuum.
- An extension cord must have adequate wire size (AWG or American Wire Gauge) for safety. The smaller the gauge number of the wire, the greater the capacity of the cable, that is 16 gauge has more capacity than 18 gauge. An undersized cord will cause a drop in line voltage resulting in loss of power and overheating. When using more than one extension to make up the total length, be sure each individual extension cord contains at least the minimum wire size. The following table shows the correct size to use. If in doubt, use the next heavier gauge. The smaller the gauge number, the heavier the cord.
- If an extension cord is to be used outdoors it must be marked with the suffix W-A or W following the cord type designation. For example – SJTW-A indicates it is acceptable for outdoor use.

		Minimum Gauge for Cord Sets				
Ampere	Ra ting	Total Length of Cord in Feet (meters)				
		Volts	25 (7.6)	50 (15.2)	100 (30.5)	150 (45.7)
		240V	50 (15.2)	10 0 (30.5)	200 (61.0)	300 (91.4)
More Than	Not More Than	AWG				
0	6	18	16	16	14	
6	10	18	16	14	12	
10	12	16	16	14	12	
12	16	14	12	Not Re commended		

⚠ WARNING: This product is **NOT** to be used for filtering of pathogens, for example COVID-19. Follow all local, state and federal guidance on general cleaning practices.


⚠ WARNING: Always wear proper personal hearing protection that conforms to ANSI S12.6 (S3.19) during use. Under some conditions and duration of use, noise from this product may contribute to hearing loss.

⚠ WARNING: Always use safety goggles. Everyday eyeglasses are NOT safety goggles. Also use face or dust mask if area of operation is dusty. **ALWAYS WEAR CERTIFIED SAFETY EQUIPMENT:**

- ANSI Z87.1 eye protection (CAN/ CSA Z94.3),
- ANSI S12.6 (S3.19) hearing protection,
- NIOSH/ OSHA/ MSHA respiratory protection.

To reduce the exposure to these chemicals, wear approved safety equipment such as dust masks that are specially designed to filter out microscopic particles.

⚠ WARNING
SERVICING OF DOUBLE-INSULATED WET/DRY VACUUM

In a double-insulated Wet/Dry Vac, two systems of insulation are provided instead of grounding. No grounding means is provided on a double-insulated appliance, nor should a means for grounding be added. Servicing a double-insulated Wet/Dry Vac requires extreme care and knowledge of the system and should be done only by qualified service personnel. Replacement parts for a double-insulated Wet/Dry Vac must be identical to the parts they replace. This double-insulated Wet/Dry Vac is marked with the words "DOUBLE-INSULATED" and the symbol  (square within a square) may also be marked on the appliance.

To reduce the risk of injury from electrical shock, unplug power cord before servicing the electrical parts of the Wet/Dry Vac.

IMPORTANT!

If the supply cord is damaged, it must be replaced by the manufacturer or its service agent or a similarly qualified person in order to avoid a hazard.

IMPORTANT!

Remove the plug from the socket before performing maintenance. Before using the machine make sure that the frequency and voltage shown on the rating plate correspond with the mains voltage. Specifications and details are subject to change without prior notice. The accessories shown in the pictures may vary from model to model.

IMPORTANT SAFEGUARDS

The symbol on the product or packaging indicates that the product must not be treated as domestic refuse. Instead, it should be handed in to a collection point for the recycling of electrical and

electronic components. By ensuring the product is treated in the correct manner, you will help prevent any negative impact on the environment and health that might arise were the product to be discarded as ordinary refuse. For further information about recycling, you should contact your local authorities, refuse collection service or the sales outlet where you bought the goods.



⚠ WARNING: This product can expose people to chemicals including lead, which is known to the State of California to cause cancer, birth defects or other reproductive harm. For more information go to www.P65Warnings.ca.gov.

⚠ WARNING

- TO REDUCE THE RISK OF INJURY, USERS MUST READ INSTRUCTION MANUAL. DO NOT RUN UNATTENDED. DO NOT PICK UP FLAMMABLE, COMBUSTIBLE OR HOT MATERIALS. DO NOT USE AROUND EXPLOSIVE DUST, LIQUIDS OR VAPORS. ELECTRICAL DEVICES PRODUCE ARCS OR SPARKS WHICH CAN CAUSE FIRE OR EXPLOSION. DO NOT USE AT FILLING STATIONS OR ANYWHERE GASOLINE IS STORED OR DISPENSED. DO NOT VACUUM TOXIC OR CARCINOGENIC MATERIALS OR OTHER HEALTH ENDANGERING MATERIALS SUCH AS ASBESTOS OR PESTICIDES. ALWAYS USE PROPER EYE AND RESPIRATORY PROTECTION. TO REDUCE THE RISK OF ELECTRICAL SHOCK, DO NOT EXPOSE TO RAIN. STORE INDOORS. WHEN SERVICING, USE ONLY IDENTICAL REPLACEMENT PARTS. DO NOT TO BE USED AS A STEP STOOL.

PRODUCT SPECIFICATIONS

Model	EM18115
Tank Capacity	5 Gallon
Power	120 V / 60 Hz / 8 A
Motor	Single Stage
Hose	1-1/4 in. x 5 ft.
Power cord	SJTW18AWG / 10 ft. Length

**SAVE THESE INSTRUCTIONS
OPERATING INSTRUCTIONS**

1. Pull lid latches in an outward motion, remove power head and some accessories that may have been shipped in the tank.
2. Attach accessories following the instructions in this manual.
3. Before replacing power head, refer to this manual to ensure you have the proper filter installed for the cleaning operation.
4. Replace power head, and apply pressure with thumb to each latch until it snaps tightly in place. Make sure all lid latches are clamped securely.
5. Insert the hose end into inlet of tank.
6. Attach the extension wands to the end of the hose. Apply slight pressure until fitting is tight.
7. Attach one of the cleaning accessories (depending on the cleaning requirements) to the extension wands. Twist slightly to tighten the connection.
8. Plug the cord into the wall outlet. The vacuum is ready for use.
9. To reduce the risk of injury from accidental starting, always shut off vacuum and disconnect the power plug from the wall outlet before installing any part or cleaning accessory.

⚠ WARNING: Do not alter the plug in any way. If the plug does not fit fully in the outlet, reverse the plug. If it still does not fit, contact a qualified electrician to install the proper outlet.

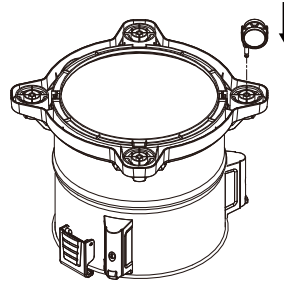
⚠ WARNING: To reduce the risk of fire or explosion, do not operate this vac in areas with flammable gases, vapors or explosive dust in the air. Flammable gases or vapors include but are not limited to: lighter fluid, solvent-type cleaners, oil-based paints, gasoline, alcohol or aerosol sprays. Explosive dusts include but are not limited to: coal, magnesium, aluminum, and grain or gun powder. Do not vacuum explosive dust, flammable or combustible liquids or hot ashes.

Do not use this vac as a sprayer for any flammable or combustible liquid. To reduce the risk of health hazards from vapors or dusts, do not vacuum toxic materials.

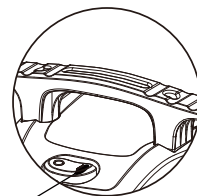
⚠ WARNING: The operation of any utility vac can result in foreign objects being blown into the eyes, which can result in severe eye injury. Always wear safety goggles complying with ANSI Z87.1 (or in Canada, CSA Z94.3) before starting operation.

UNPACKING & SET-UP SUMMARY

1. Pull lid latches in an outward motion, remove power head and some accessories that may have been shipped in the tank.
2. Attach casters following the instructions below:
 - a. Invert dust tank. Insert casters into holes provided in dolly until they snap into place.
 - b. Return dust tank assembly upright.



3. Before replacing power head, refer to this manual to ensure you have the proper filters installed for the cleaning operation.
4. Replace power head, and apply pressure with thumb to each latch until it snaps tightly in place. Make sure all lid latches are clamped securely.
5. Insert the hose end into inlet of tank.
6. Attach the extension wands to the end of the hose. Apply slight pressure until fitting is tight.
7. Attach one of the cleaning accessories (depending on the cleaning requirements) on the extension wands. Twist slightly to tighten the connection.
8. Plug the cord into the wall outlet. The cleaner is ready for use.
9. Turn the unit "ON" by pushing the switch from position "O" to position "I". The "O" is the "OFF" position and the "I" is the "ON" position.



O = OFF I = ON

⚠ WARNING: To reduce the risk of fire or explosion, do not operate this vac in areas with flammable gases, vapors or explosive dust in the air. Flammable gases or vapors include but are not limited to: lighter fluid, solvent-type cleaners, oil-based paints, gasoline, alcohol or aerosol sprays. Explosive dusts include but are not limited to: coal, magnesium, aluminum, and grain or gun powder. Do not vacuum explosive dust, flammable or combustible liquids or hot ashes. Do not use this vac as a sprayer for any flammable or combustible liquid. To reduce the risk of health hazards from vapors or dusts, do not vacuum toxic materials.

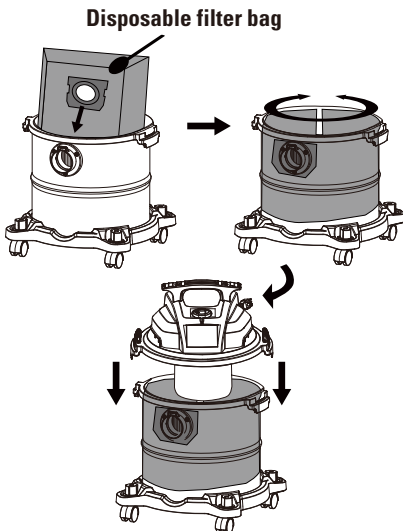
⚠ WARNING: The operation of any utility vac can result in foreign objects being blown into the eyes, which can result in severe eye injury. Always wear safety goggles complying with ANSI Z87.1 (or in Canada, CSA Z94.3) before starting operation.

⚠ CAUTION: To reduce risk of hearing damage, wear ear protectors when using the vacuum for extended hours or when using it in a noisy area.

DRY PICK-UP

INSTALLING THE DISPOSABLE FILTER BAG

1. Slide the cardboard collar opening firmly onto the vacuum port deflector until it stops against the deflector wall.
2. Position the bag so that it is distributed around the inside of the tank.
3. Replace and secure the power head onto the tank.

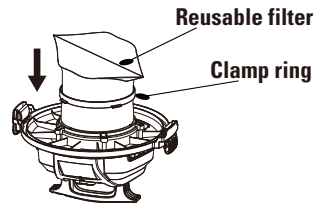


NOTICE: DO NOT USE THE DISPOSABLE FILTER BAG FOR WET VACUUMING.

INSTALLING THE FILTER

1. The filter must always be in correct position to reduce the risk of leaks and possible damage to vac. Make sure that the filter is completely covering the filter cage. Make sure there are no gaps between the filter and the lid (See illustration). It is very important to assemble the filter to the cage without any possible leaks or tears. Any leaks will allow the picked up debris to be blown out of the blower port and back into the surrounding environment.
2. When using the vac to pick up fine dust, it will be necessary to empty the dust tank and clean or replace the filter at more frequent intervals to maintain peak vac performance.

REMEMBER! The foam filter and reusable dry filter with ring must be installed for dry pick up.

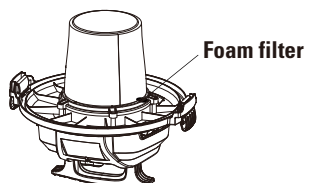


NOTICE:

A dry filter is necessary to pick up dry material. If use the vac to pick up dust when the filter is wet, the filter will clog quickly and be very difficult to clean. If the filter gets wet, replace it before continuing to do dry pickups.

WET PICK-UP

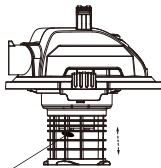
This cleaner requires minimal conversion when going from dry to wet pick-up. A clean cartridge filter (not included) may be used for vacuuming small amounts of liquid. For best results when vacuuming large amounts of liquid, remove the cartridge filter and any disposable or reusable dust filters. Install the foam filter. Installing the foam filter will help to protect the motor and minimize the potential for misting that may appear in the exhaust air or dripping of liquid around the lid.



NOTICE:

WET PICK-UP ACCESSORIES SHOULD BE WASHED PERIODICALLY, ESPECIALLY AFTER PICKING UP WET, STICKY FLUIDS OR SPILLS. THIS CAN BE ACCOMPLISHED WITH A WARM SOLUTION OF SOAP AND WATER.

This wet/dry vac is equipped with a float mechanism which will rise automatically to cut off the airflow when the liquid in the tank reaches a predetermined level. When this happens, turn off vac, unplug the power cord, and empty the dust tank. You will know that the float has shut the airflow off because the suction ceases and the motor noise becomes higher in pitch due to increased motor speed. The liquid capacity may vary with the rate of pickup.



Float in raised position

IMPORTANT!

To reduce the risk of damage to the vac, do not run motor with float in raised position.

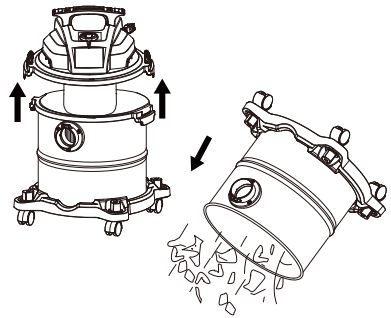
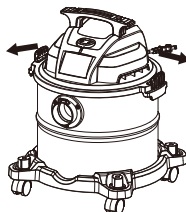
NOTICE:

IF ACCIDENTALLY TIPPED OVER, THE VACUUM COULD CLOSED SUCTION. IF THIS OCCURS, PLACE VAC IN UPRIGHT POSITION AND TURN SWITCH OFF. THIS WILL ALLOW THE FLOAT TO RETURN TO ITS NORMAL POSITION, AND YOU WILL BE ABLE TO CONTINUE OPERATION.

EMPTYING THE TANK

⚠ WARNING: To reduce the risk of injury from accidental starting, unplug power cord before emptying the dust tank.

1. Remove the power head assembly of the wet/dry vac by pulling outward on the lid clips located on each side of the vac. Lift off the power head assembly.
2. Dump the tank contents into the proper waste disposal container.



BLOWING OPERATION

⚠ WARNING: Always wear safety eyewear complying with ANSI Z87.1 (or in Canada CSA Z94.3) when using as a blower.

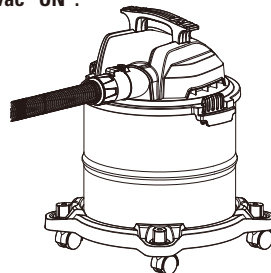
⚠ WARNING: To avoid injury to bystanders, keep them clear of blowing debris.

⚠ WARNING: To avoid injury to bystanders, keep them clear of blowing debris.

⚠ CAUTION: Wear a dust mask if blowing creates dust which might be inhaled.

⚠ CAUTION: To reduce the risk of hearing loss, wear ear protectors when using the vac/blower for extended hours or when using it in a noisy area. The vac contains a blowing feature. It has the capability to blow sawdust and other debris. It can be used to blow dust and debris out of garages or off patios and driveways. Follow the steps below to use the vac as a blower.

1. Locate blower port on the vac.
2. Insert one end of the 1-1/4 in. x 5 ft. (3.2 cm x 1.5 m) hose into the blower port.
3. Turn vac "ON".



FILTER REPLACEMENT

⚠ WARNING: To reduce the risk of injury from accidental starting, unplug power cord before changing or cleaning filter. The filter should be cleaned frequently to maintain peak vacuum performance.

⚠ WARNING: Do not remove filter cage and float. The float prevents water from entering the impeller and damaging the motor. The cage prevents fingers from touching the moving impeller.

⚠ CAUTION: To avoid damage to the impeller and motor, always reinstall the reusable filter before using the vacuum for dry pickups and always reinstall the foam filter before using the vacuum for dry pickups and wet pickups.

⚠ CAUTION: After cleaning, check the filter for tears or small holes. Do not use a filter with holes or tears in it. Even a small hole can cause dust to come out of the vacuum. Replace it immediately.

⚠ CAUTION: If the filter is clean and not damaged, replace it on the filter cage. If it cannot be reused, place a new filter over the filter cage.

⚠ CAUTION: Clean the filter in an open area.

CLEANING

To keep the wet/dry vacuum looking its best, use a cloth dampened only with water and mild soap to clean its surface.

To clean the tank:

1. Dump out debris.
2. Wash tank thoroughly with a cloth dampened only with water and mild soap.
3. Wipe with dry cloth.

STORAGE

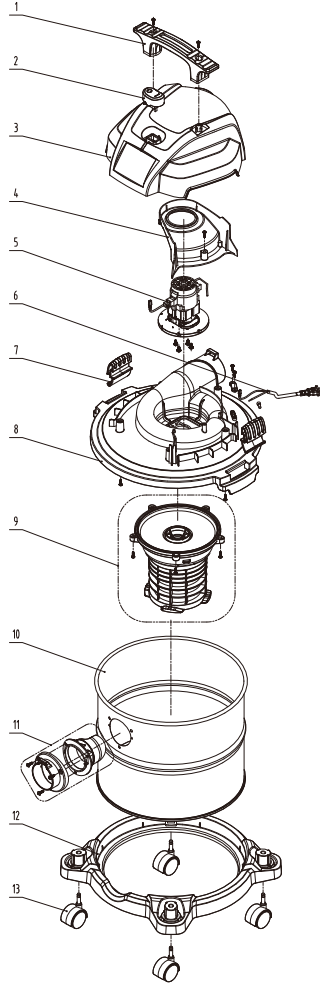
Before storing the vacuum, the dust tank should be emptied and cleaned. The cord should be wrapped and hung on the unit and the accessories should be kept in the accessory holder. The vacuum should be stored indoors.

TROUBLESHOOTING

Minor problems often can be fixed without calling customer service.

PROBLEM	POSSIBLE CAUSE	CORRECTIVE ACTION
Vacuum does not run	No electricity	Make sure electrical outlet has voltage (A qualified electrician may need to be contacted)
Loss of suction, wet pick-up	1. Full tank 2. Clogged hose 3. Clogged filter	1. Drain and clean tank 2. Remove hose and clean debris 3. Clean or replace filter
Loss of suction, dry pick-up	1. Full tank 2. Clogged hose 3. Clogged filter	1. Drain and clean tank 2. Remove hose and clean debris 3. Clean or replace filter

EXPLODED VIEW / PARTS LIST



PART	DESCRIPTION	QTY
1	Handle	1
2	Power switch	1
3	Top cover	1
4	Thermal baffle	1
5	Motor	1
6	Power cord	1
7	Lid latch	2

PART	DESCRIPTION	QTY
8	Middle frame	1
9	Motor bottom support	1
10	Dust tank	1
11	Vacuum port	1
12	Caster dolly	1
13	Caster	4

WARRANTY**Alton Industry Ltd. Group
1 Year Limited Warranty**

This warranty covers any defects in materials or workmanship of the enclosed product. Alton Industry Ltd. Group will repair or replace any defective materials due to craftsmanship of the product. This warranty does not cover any problem caused by misuse, abuse, accidents or acts of God, such as floods or hurricanes. Consequential and incidental damages are not covered under this warranty. Coverage terminates if you sell or otherwise transfer the ownership. If you feel you have a defective product, please submit a copy of your receipt to the address below and call 1-888-899-0146 for instructions prior returning this item to the store or sending back to:

Alton Industry Ltd. Group

643 Innovation Dr.

West Chicago, IL 60185

We will inspect the product and contact you within 72 hours to give you the results of our inspection. We reserve the right to repair or replace the product at our discretion.

However, we may replace the product with one of similar but not exact features.

Parts and Service Information available call Alton Industry at 1-888-899-0146.

This warranty gives you specific legal rights. You may have other rights which vary from state to state.

DEFINICIONES: SÍMBOLOS Y PALABRAS DE ALERTA DE SEGURIDAD

Este manual de instrucciones utiliza los siguientes símbolos y palabras de alerta de seguridad para alertarle de situaciones peligrosas y del riesgo de lesiones corporales o daños materiales.



PELIGRO: Indica una situación de peligro inminente que, si no se evita, provocará **la muerte o lesiones graves**.

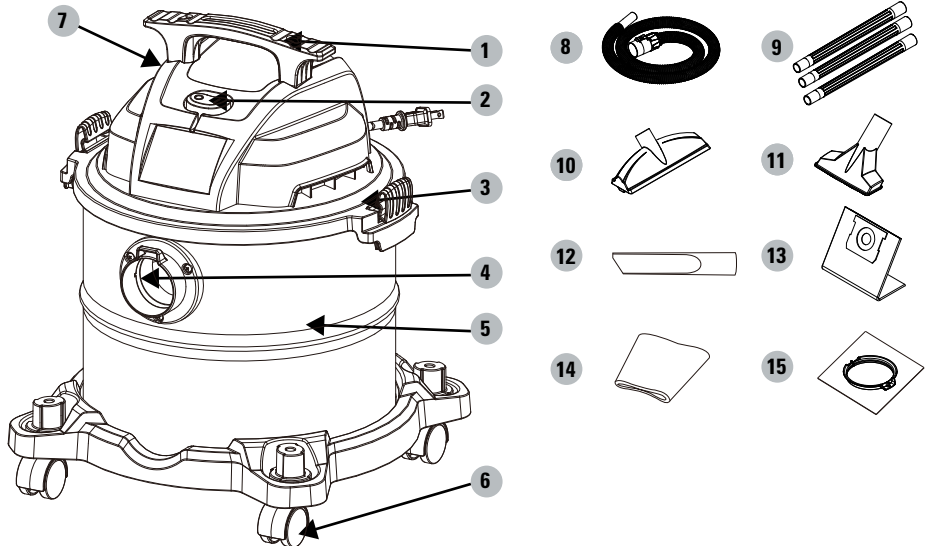


ADVERTENCIA: Indica una situación de peligro potencial que, si no se evita, **podría provocar la muerte o lesiones graves**.



ATENCIÓN: Indica una situación de peligro potencial que, si no se evita, **posiblemente provocaría lesiones leves o moderadas**.

AVISO: Se refiere a una práctica **no relacionada a lesiones corporales** que de no evitarse **puede resultar en daños a la propiedad**.



1 Manejar

2 Interruptor

3 Tapa pestillo

4 De vacío de puerto

5 Depósito de polvo

6 Castor

7 Puerto de soplado (invisibles)

8 3,2 cm x 1,5 m Manguera (13-3301)

9 Vara de extensión (25-1205)

10 Cepillo de suelo (13-1570)

11 Boquilla Gulper (13-1588)

12 Boquilla para ranuras (13-1508)

13 Bolsa de filtro desechable (19-3100) - Sólo para recogida en seco

14 Filtro de espuma (19-1600) - Para la recogida en húmedo

15 Filtro de tela con anillo de sujeción (19-1500) - Sólo para recogida en seco



ATENCIÓN: Por favor, aplique siempre el filtro adecuado cuando utilice la aspiradora para evitar que cualquier material o residuo en la carcasa del motor.



ADVERTENCIA: Lea todas las advertencias de seguridad e instrucciones. El incumplimiento de las advertencias e instrucciones puede provocar descargas eléctricas, incendios o lesiones graves.



ADVERTENCIA: Para reducir el riesgo de lesiones, lea el manual de instrucciones.

Si tiene preguntas o comentarios, póngase en contacto con nosotros: 1-888-899-0146.

INSTRUCCIONES DE SEGURIDAD IMPORTANTES

⚠️ ADVERTENCIA: Cuando utilice aparatos eléctricos, siempre siga instrucciones básicas de seguridad para reducir el riesgo de incendio, descarga eléctrica y lesiones corporales, incluyendo las siguientes:

ANTES DE UTILIZAR ESTE APARATO, LEA Y SIGA TODAS LAS INSTRUCCIONES.

⚠️ ADVERTENCIA: Para reducir el riesgo de descarga eléctrica, no exponer a la lluvia.

Almacenar bajo techo.

- No exponga el aparato a la lluvia. Almacénelo en el interior. Esto reducirá el riesgo de descargas eléctricas.
- No permita que se juegue con él. Preste especial atención si el aparato es utilizado por o cerca de niños.
- SÓLO use este aparato como lo describe el manual. Use sólo los accesorios ECOMAX recomendados.
- No use este aparato si su cable o enchufe están dañados. Si el aparato no funciona debidamente, o si se ha caído, dañado, dejado a la intemperie, o si se ha caído en agua, devuélvalo a un centro de servicio.
- No tire del cable, levante el aparato por el cable, use el cable como un mango, cierre la puerta si el cable está en el umbral, o tire del cable entorno a bordes o esquinas a lados. No atropelle el cable con el aparato. Mantenga el cable alejado de superficies calientes.
- Notire del cable para desenchufar el aparato. Para desenchufarlos, tome el enchufe con meza, no el cable.
- No toque el enchufe o el aparato si tiene las manos mojadas.
- No inserte ningún objeto por las aperturas del aparato. No utilice este aparato si tiene alguna apertura bloqueada; manténgalo sin polvo, pelusa, pelo o cualquier otra cosa que podría reducir el flujo de aire.
- Mantenga su cabello, vestimenta suelta, dedos y toda parte de su cuerpo alejados de las aperturas y piezas móviles del aparato.
- Apague todos los controles antes de desenchufar el aparato.
- Tenga especial cuidado cuando lo use para limpiar en escaleras.
- No use el aparato para recoger líquidos o combustibles, como gasolina, ni lo use en lugares donde exista la presencia de líquidos inflamables o combustibles.
- Es posible que se produzcan descargas estáticas

en áreas secas o cuando la humedad relativa del aire sea baja. Esto es solo pasajero y no afecta la utilización de la aspiradora. Para reducir la frecuencia de las descargas estáticas, agregue humedad al aire con un adorno instalado de consola o use la manguera antiestática (estándar en algunos modelos).

- Para evitar una combustión espontánea, vacíe el recipiente después de cada uso.

GUARDE ESTAS INSTRUCCIONES REGLAS DE SEGURIDAD ADICIONALES

⚠️ ADVERTENCIA:

- No recoja nada que se esté quemando o que esté humeando, como cigarrillos, fósforos o cenizas calientes.
- No use para aspirar materiales combustibles explosivos, como carbón, grano u otro material combustible amente dividido.
- No utilice para aspirar materiales peligrosos, tóxicos o cancerígenos, tales como asbesto o pesticida.
- Nunca recoja líquidos explosivos (como gasolina, combustible diesel, gasóleo, diluyente de pintura, etc.), ácidos o solventes.
- No utilice la aspiradora sin los filtros bien puestos.
- Alguna madera contiene preservantes que pueden ser tóxicos. Tenga especial cuidado para prevenir la inhalación y el contacto con la piel cuando trabaje con estos materiales. Solicite y siga cualquier información de seguridad que el proveedor de materiales ponga a la disposición.
- No use la aspiradora como escalera de mano.
- No coloque objetos pesados sobre la aspiradora.
- Los hilos del alargador deben ser de un calibre apropiado (AWG o American Wire Gauge) para su seguridad. Mientras menor sea el calibre del hilo, mayor la capacidad del cable. Es decir, un hilo calibre 16 tiene mayor capacidad que uno de 18. Un cable de un calibre incorrecto causará una caída en la tensión de la línea dando por resultado una pérdida de energía y sobrecalentamiento. Cuando se utilice más de un alargador para completar el largo total, asegúrese que los hilos de cada alargador tengan el calibre mínimo. La tabla siguiente muestra el tamaño correcto a utilizar. Si tiene dudas sobre cuál calibre usar, use un calibre mayor. Cuanto más pequeño sea el número del calibre, más resistente será el cable.
- Si utilizará un alargador en el exterior, deberá tener marcado el sufijo W-A ó W luego de la designación del tipo de cable. Por ejemplo – SJTW-A para indicar que es aceptable para usar afuera.

Calibre mínimo para cables de alimentación						
Amperaje		Voltios	Largo total del cordón en metros (pies)			
		120V	7,6 (25)	15,2 (50)	30,5 (100)	45,7 (150)
		240V	15,2 (50)	30,5 (100)	61,0 (200)	91,4 (300)
Más de	No más de	AWG				
0	6		18	16	16	14
6	10		18	16	14	12
10	12		16	16	14	12
12	16		14	12	No recomendado	

⚠ ADVERTENCIA: Este producto NO debe usarse para filtrar patógenos, por ejemplo, COVID-19. Siga todas las pautas locales, estatales y federales sobre prácticas generales de limpieza.


⚠ ADVERTENCIA: Siempre use protección auditiva personal en conformidad con ANSI S12.6 (S3.19) durante el uso de este aparato. Bajo algunas condiciones y duraciones de uso, el ruido producido por este producto puede contribuir a la pérdida auditiva.

⚠ ADVERTENCIA: SIEMPRE utilice gafas de seguridad. Los anteojos de diario NO SON gafas de seguridad. Utilice también careta o mascarilla si se produce polvo al operar en el área. PORTE SIEMPRE EQUIPO DE SEGURIDAD CERTIFICADO:

- Protección ocular ANSI Z87.1(CAN/CSA Z94.3),
- Protección auditiva ANSI S12.6(S3.19),
- Protección respiratoria NIOSH/OSHA/MSHA.

Para reducir la exposición a estos productos químicos, use equipo de seguridad aprobado, como máscaras contra el polvo que están especialmente diseñadas para filtrar partículas microscópicas.

⚠ ADVERTENCIA: MANTENIMIENTO DE UNA ASPIRADORA PARA SECO Y MOJADO CON DOBLE AISLAMIENTO

En una aspiradora para seco y mojado con doble aislamiento cuentan con dos sistemas de aislamiento en lugar de una conexión a tierra. Los electrodomésticos con doble aislamiento no cuentan con un medio de puesta a tierra ni se le debe agregar uno. El mantenimiento de una aspiradora para seco y mojado con doble aislamiento requiere extremo cuidado y amplios conocimientos del sistema, por lo que solo debe estar a cargo de personal de mantenimiento calificado. Las piezas de repuesto para una aspiradora para seco y mojado con doble aislamiento deben ser idénticas a las piezas que reemplazan. Su aspiradora para seco y mojado con doble aislamiento está marcada con las palabras "DOBLE AISLAMIENTO" y el símbolo  (cuadrado dentro de otro cuadrado) puede estar marcado sobre el electrodoméstico. Para reducir el riesgo de lesiones provocadas por descargas eléctricas, desenchufe el electrodoméstico antes de realizar el mantenimiento a las piezas eléctricas de la con aspiradora para seco y mojado.

IMPORTANTE !

Si el cable de alimentación está dañado, este debe ser reemplazado por el fabricante, su empresa de servicio o una persona con calificación similar para evitar peligros.

IMPORTANTE !

Desconecte el enchufe del tomacorriente antes de realizar mantenimiento. Antes de usar la máquina, asegúrese de que la frecuencia y el voltaje indicado en la placa de calificaciones corresponda con el voltaje. Las especificaciones y los detalles están sujetos a cambio sin previo aviso. Los accesorios que se muestran en las imágenes pueden variar de un modelo a otro.

CONSIDERACIONES IMPORTANTES

El símbolo en el producto o el paquete indica que el producto usado no se debe considerar parte de los desechos domésticos. En cambio, este debe llevarse a un punto de recolección para el reciclaje de componentes eléctricos y electrónicos. Al garantizar que el producto se trató de la manera correcta, ayudará a evitar cualquier impacto negativo sobre el medio ambiente y la salud que podría originarse si el producto se eliminara como desecho ordinario. Para obtener más información sobre el reciclaje, póngase en contacto con sus autoridades locales, su servicio de recolección de desechos o el punto de venta donde lo compró.



⚠ ADVERTENCIA: Este producto puede exponerlo a sustancias químicas, incluido el plomo, que el estado de California considera que causan cáncer, defectos de nacimiento u otros daños reproductivos. Para obtener más información, vaya a www.P65Warnings.ca.gov.

⚠ ADVERTENCIA:

- PARA REDUCIR EL RIESGO DE FUEGO, CHOQUE ELÉCTRICO O LESIONES: LEA TODAS LAS INSTRUCCIONES ANTES DE USAR EL APARATO. NO DEJE EL APARATO CONECTADO. DESCONÉCTELO DE LA TOMA DE CORRIENTE CUANDO NO LO ESTÉ USANDO Y ANTES DE HACERLE ALGÚN SERVICIO. NO EXPONGA A LA LLUVIA, ALMACÉNELO EN EL INTERIOR. NO UTILICE CON EL CABLE O EL ENCHUFE DAÑADO. MANTENGA EL CABLE ALEJADO DE SUPERFICIES CALIENTES. NO LO UTILICE PARA ASPIRAR LÍQUIDOS COMBUSTIBLES O FLAMABLES; COMO GASOLINA, NI LO USE EN ÁREAS DONDE PUEDAN ESTAR PRESENTES. NO ASPIRE NADA QUE ESTÉ ENCENDIDO O FUMÁNDOSE, COMO CIGARROS, CERILLOS O CENIZAS CALIENTES. NO ASPIRE

TÓXICOS, CANCERÍGENOS, COMBUSTIBLE U OTROS MATERIALES PELIGROSOS COME ASBESTO, PLOMO, PESTICIDAS U OTROS MATERIALES QUE ATENTEN CONTRA LA SALUD. DOBLE INSULATION- AL DAR SERVICIO, SÓLO UTILICE PIEZAS DE REPUESTO IDÉNTICAS. SÓLO PARA USO DOMÉSTICO. PARA USO DOMÉSTICO.

ESPECIFICACIONES DEL PRODUCTO

Modelo	EM18115
Capacidad del tanque	18,9 Litros
Potencia	120 V / 60 Hz / 8 A
Motor	De una sola fase
Manguera	3,2 cm x 1,5 m
Cable de alimentación	SJTW18AWG / 3 m largo

GUARDA ESTAS INSTRUCCIONES INSTRUCCIONES DE OPERACIÓN

1. Tire de los pestillos de la tapa hacia afuera, retire el cabezal de potencia y algunos accesorios que pueden haberse enviado en el tanque.
2. Conecte los accesorios siguiendo las instrucciones de este manual.
3. Antes de reemplazar el cabezal de potencia, consulte este manual para asegurarse de tener instalado el filtro adecuado para la operación de limpieza.
4. Vuelva a colocar el cabezal de alimentación y aplique presión con el pulgar en cada pestillo hasta que encaje firmemente en su lugar. Asegúrese de que todos los pestillos de la tapa estén bien sujetos.
5. Inserte el extremo de la manguera en la entrada del tanque.
6. Conecte las varillas de extensión al extremo de la manguera. Aplique una ligera presión hasta que el ajuste esté apretado.
7. Conecte uno de los accesorios de limpieza (según los requisitos de limpieza) a las varillas de extensión. Gire ligeramente para apretar la conexión.
8. Enchufe el cable a la toma de corriente. La aspiradora está lista para usar.
9. Para reducir el riesgo de lesiones por arranque accidental, siempre apague la aspiradora y desconecte el enchufe de la toma de corriente de la pared antes de instalar cualquier pieza o accesorio de limpieza.

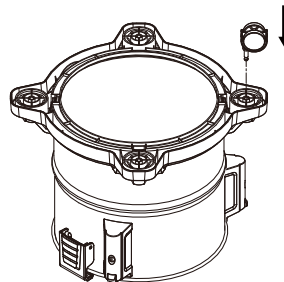
⚠ ADVERTENCIA: No altere el enchufe de ninguna manera. Si el enchufe no encaja completamente en el tomacorriente, invierta el enchufe. Si aún así no encaja, comuníquese con un electricista calificado para instalar el tomacorriente adecuado.

⚠ ADVERTENCIA: Inflamables o polvo explosivo en el aire. Los gases o vapores inflamables incluyen, entre otros: Líquidos de encendedores, limpiadores tipo solvente, pinturas a base de aceite, gasolina, alcohol y rociadores en aerosol. Los polvos explosivos incluyen, entre otros: Carbón, magnesio, aluminio y pólvora o pólvora cilíndrica. No aspire polvos explosivos, líquidos inflamables o combustibles ni cenizas calientes. No use esta aspiradora como rociador de líquidos inflamables o combustibles. Para reducir el riesgo de peligros para la salud debido a vapores o polvo, no aspire materiales tóxicos.

⚠ ADVERTENCIA: El funcionamiento de cualquier aspiradora para uso general puede soplar objetos extraños a los ojos del operador y, de esta manera, causar graves daños oculares. Siempre use gafas de seguridad que cumplan con ANSI Z87.1 (o con CSA Z94.3 en Canadá) antes de comenzar la operación.

DESEMBALAJE Y CONFIGURACIÓN

1. Libere la traba de la tapa con un movimiento hacia el exterior, retire la tapa y algunos accesorios que podrían expedirse en el tanque.
2. Coloque la rueda siguiendo las instrucciones que se indican a continuación:
 - a. Invierta el depósito de polvo. Inserte las ruedas en los orificios proporcionados en la plataforma rodante hasta que encajen en su lugar.
 - b. Devuelva el conjunto del depósito de polvo en posición vertical.



3. Antes de colocar la tapa con el motor, consulte este manual para asegurarse de que tiene los filtros apropiados instalados para la limpieza.
4. Coloque la tapa con el motor y presione con el pulgar en cada traba hasta que cierre firmemente en su lugar. Asegúrese de que todas las trabas sujetan firmemente la tapa.

5. Inserte el extremo de la manguera flexible en la entrada del tanque.
6. Conecte las extensiones al extremo de la manguera. Appliquez une légère pression jusqu'à ce montage est serré.
7. Conecte uno de los accesorios para limpieza (según sus necesidades de limpieza) en el extremo libre de la extensión.
8. Conecte el cable eléctrico en el tomacorriente de pared. Su aspiradora esta lista para usar.
9. Después de enchufar el cable de alimentación en el tomacorriente de pared, coloque la unidad en la posición de "ENCENDIDO" presionando el interruptor desde la posición "0" a la posición "I". La marca "0" es la posición de "APAGADO" y la "I" es la posición de "ENCENDIDO".



⚠ ADVERTENCIA: Inflamables o polvo explosivo en el aire. Los gases o vapores inflamables incluyen, entre otros: Líquidos de encendedores, limpiadores tipo solvente, pinturas a base de aceite, gasolina, alcohol y rociadores en aerosol. Los polvos explosivos incluyen, entre otros: Carbón, magnesio, aluminio y pólvora o pólvora cilíndrica. No aspire polvos explosivos, líquidos inflamables o combustibles ni cenizas calientes. No use esta aspiradora como rociador de líquidos inflamables o combustibles. Para reducir el riesgo de peligros para la salud debido a vapores o polvo, no aspire materiales tóxicos.

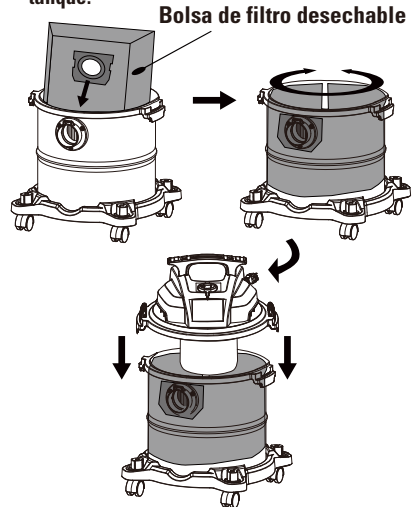
⚠ ADVERTENCIA: El funcionamiento de cualquier aspiradora para uso general puede soplar objetos extraños a los ojos del operador y, de esta manera, causar graves daños oculares. Siempre use gafas de seguridad que cumplan con ANSI Z87.1 (o con CSA Z94.3 en Canadá) antes de comenzar la operación.

⚠ ATENCIÓN: Para reducir el riesgo de daños auditivos, use protectores para los oídos cuando use la aspiradora por varias horas o en un entorno bullicioso.

ASPIRADO EN SECO INSTALACIÓN DE LA BOLSA DE FILTRO DESECHABLE

1. Deslice la abertura del collar de cartón firmemente sobre el deflector del puerto de aspiración, hasta que se detenga contra la pared del deflector.
2. Coloque la bolsa de modo que se distribuya en todo el interior del tanque.

3. Vuelva a colocar y asegurar el cabezal en el tanque.



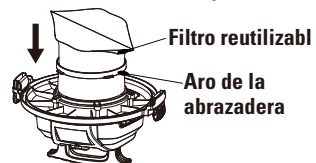
AVISO: NO UTILICE LA BOLSA DE FILTRO DESECHABLE PARA ASPIRAR EN HÚMEDO. INSTALACIÓN DEL FILTRO

1. El filtro debe estar siempre en la posición correcta para reducir el riesgo de fugas y posibles daños a la aspiradora. Asegúrese de que el filtro esté cubriendo completamente la caja del filtro y que el aro de la abrazadera esté lo más cerca posible de la tapa. Asegúrese de que no haya espacios entre el filtro y la tapa. Es muy importante ensamblar el filtro a la caja sin dejar ninguna fuga o gotera. Cualquier fuga permitirá que la suciedad aspirada sea soplada hacia fuera del puerto de soplado y de vuelta en el aire.
2. Cuando use el aspiradora para aspirar polvo fino, será necesario vaciar el tanque para polvo y limpiar o reemplazar el filtro en intervalos más frecuentes para mantener el máximo rendimiento de la aspiradora.

¡RECUERDE! El filtro de espuma y el filtro seco reutilizable con anillo deben instalarse para la recogida en seco.

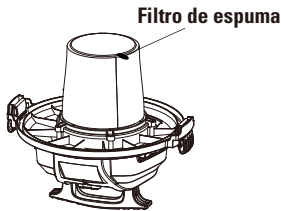
AVISO:

Se necesita el filtro seco para recoger el material seco. Si usa la aspiradora para aspirar polvo cuando el filtro está mojado, este se obstruirá rápidamente y la limpieza será muy difícil. Si el filtro se moja, reemplácelo antes de continuar aspirando.



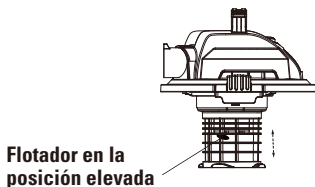
FUNCIONAMIENTO DE ASPIRACIÓN DE LÍQUIDOS

Este limpiador requiere una conversión mínima cuando se pasa de recolección seca a húmeda. Se puede usar un filtro de cartucho limpio (no incluido) para aspirar pequeñas cantidades de líquido. Para obtener los mejores resultados al aspirar grandes cantidades de líquido, retire el filtro de cartucho y cualquier filtro de polvo desechable o reutilizable. Instale el filtro de espuma. La instalación del filtro de espuma ayudará a proteger el motor y minimizará la posibilidad de que se empañe el aire de escape o el goteo de líquido alrededor de la tapa.



AVISO:
LOS ACCESORIOS PARA RECOLECTORES HÚMEDOS DEBEN LAVARSE PERIÓDICAMENTE, ESPECIALMENTE DESPUÉS DE RECOGER LÍQUIDOS PEGAJOSOS O HÚMEDOS O DERRAMES. ESTO SE PUEDE LOGRAR CON UNA SOLUCIÓN CALIENTE DE AGUA Y JABÓN.

Esta aspiradora para seco/ mojado está equipada con un mecanismo de flotador que se eleva automáticamente para cortar el flujo de aire cuando el líquido en el tanque alcanza un nivel predeterminado. Cuando ocurra esto, apague la aspiradora, desenchufe el cable de alimentación y vacíe el tanque para polvo. Sabrá que el flotador ha cerrado el flujo de aire y que la succión se detiene y el ruido del motor se vuelve más agudo debido a la disminución de la velocidad del motor. La capacidad de líquido puede variar según la cantidad que se aspire.



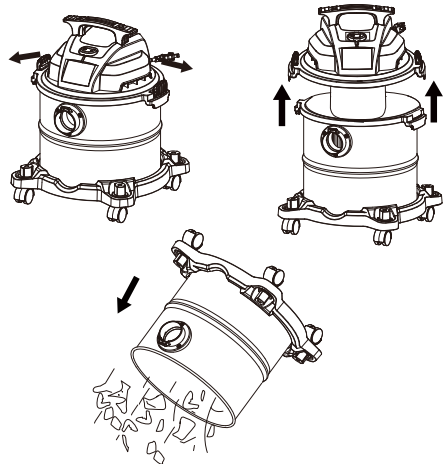
IMPORTANTE!
Para reducir el riesgo de daños a la aspiradora, no haga funcionar el motor con el flotador en la posición elevada.

AVISO:
SI SE ACCIDENTALMENTE SE TIRA, EL VACÍO PODRÍA CERRAR LA SUCCIÓN. SI ESTO OCURRE, COLOQUE VAC EN POSICIÓN ACTUAL Y DESLIGUE EL INTERRUPTOR. ESTA VOLUNTAD PERMITIR AL FLOTADOR VOLVER A SU POSICIÓN NORMAL, Y USTED PODRÁ CONTINUAR LA OPERACIÓN.

VACIADO DEL TANQUE

⚠ ADVERTENCIA: Para reducir el riesgo de lesiones debido arranques accidentales, desenchufe el cable de alimentación antes vaciar tanque para polvo.

1. Retire el ensamble del cabezal de alimentación de la aspiradora para seco/ mojado jalando hacia fuera los sujetadores de la tapa ubicados a cada lado de la aspiradora. Retire el ensamble del cabezal de alimentación.
2. Vacíe el contenido del tanque en el contenedor de residuos adecuado.



FUNCIONAMIENTO DE SOPLADO

⚠ ADVERTENCIA: Siempre use gafas de seguridad que cumplan con ANSI z87.1 (o con CSA Z94.3 en Canadá) al usar el soplador.

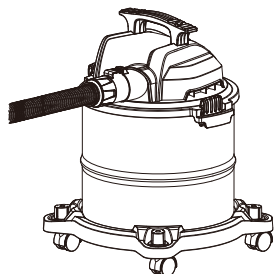
⚠ ADVERTENCIA: Para evitar lesiones a los transeúntes, manténgalos alejados de la suciedad soplada.

⚠ PRECAUCIÓN: Use una mascarilla antipolvo si el soplado provoca polvo que pueda ser inhalado.

⚠ PRECAUCIÓN: Para reducir el riesgo de daños auditivos, use protectores para los oídos cuando use la aspiradora/soplador por varias horas o en un entorno bullicioso. Su aspiradora cuenta con una característica de soplado. Tiene la capacidad

una característica de soplado. Tiene la capacidad de soplar aserrín y otros residuos. Puede usarse para soplar polvo y suciedad de garajes o de patios y entradas de garaje. Siga los siguientes pasos para usar su aspiradora como soplador.

1. Ubique el puerto de soplado en su aspiradora.
2. Inserte un extremo de la manguera de 1-1/4 in. x 5 ft. / 3,2 cm x 1,5 m en el puerto de soplado.
3. Encienda la aspiradora.



CUIDADO Y MANTENIMIENTO REEMPLAZO DEL FILTRO

⚠ ADVERTENCIA: Para reducir el riesgo de lesiones debido a arranques accidentales, desenchufe el cable de alimentación antes de cambiar o limpiar el filtro. Debe limpiar el filtro a menudo para mantener el máximo rendimiento de la aspiradora.

⚠ ADVERTENCIA: No retire la caja del filtro ni el flotador. El flotador evita que el agua ingrese al propulsor y que dañe el motor. La caja evita que los dedos toquen el propulsor en movimiento.

⚠ PRECAUCIÓN: Para evitar daños en la rueda y el motor del soplador, siempre vuelva a instalar el filtro reutilizable antes de usar la aspiradora para aspirar en seco y siempre vuelva a instalar el filtro de espuma antes de usar la aspiradora para aspirar en mojado.

⚠ PRECAUCIÓN: Después de limpiar, revise si el filtro tiene desgarraduras u orificios pequeños. No use la aspiradora si un filtro tiene orificios o desgarraduras. Incluso un pequeño orificio puede causar que salga mucho polvo de su aspiradora. Reemplácelo inmediatamente.

⚠ PRECAUCIÓN: Si el filtro está limpio y no está dañado, reemplácelo en la jaula del filtro. Si no se puede reutilizar, coloque un filtro nuevo sobre la jaula del filtro.

⚠ PRECAUCIÓN: Limpie el filtro en un área abierta.

LIMPIEZA

Para mantener su aspiradora para seco/mojado con una apariencia perfecta, limpie la superficie exterior con un paño humedecido con agua tibia y jabón suave. Para limpiar el tanque:

1. Retire los desechos.
2. Lave el tanque completamente con agua tibia y jabón suave.
3. Limpie con un paño seco.

ALMACENAJE

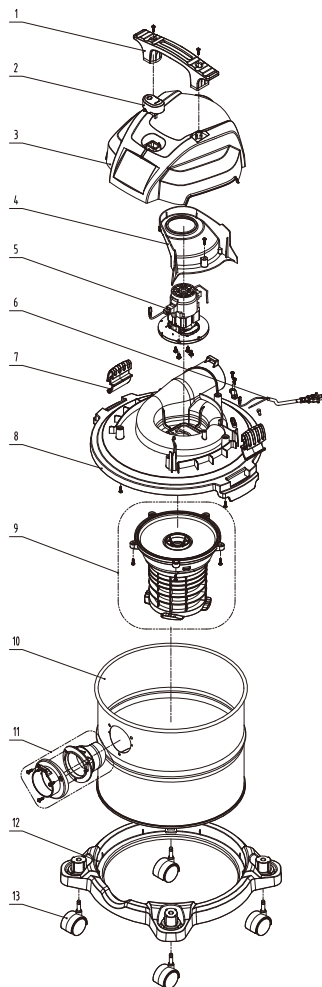
Antes de almacenar su aspiradora, el tanque para polvo debe vaciarse y limpiarse. El cable debe enrollarse y colgarse en la unidad y los accesorios deben guardarse en el porta accesorios para que estén a la mano. La aspiradora se debe almacenar en interiores.

SOLUCIÓN DE PROBLEMAS

Los problemas menores se pueden arreglar generalmente sin llamar al Servicio al Cliente.

PROBLEMA	CAUSA POSIBLE	ACCIÓN CORRECTIVA
La aspiradora no funciona	No hay electricidad	Asegúrese de que el tomacorriente tenga voltaje (Puede que deba ponerse en contacto con un electricista calificado)
Se pierde la capacidad de succión en mojado	1. Tanque lleno 2. La manguera está obstruida 3. El filtro está obstruido	1. Drene y limpie el tanque 2. Retire la manguera y limpie la suciedad 3. Limpie o reemplace el filtro
Se pierde la capacidad de succión en seco	1. Tanque lleno 2. La manguera está obstruida 3. El filtro está obstruido	1. Drene y limpie el tanque 2. Retire la manguera y limpie la suciedad 3. Limpie o reemplace el filtro

VISTA AMPLIADA / LISTA DE PIEZAS



Artículo	Descripción	Cantidad
1	Manejar	1
2	Interruptor	1
3	La cubierta superior	1
4	Deflector térmico	1
5	Motor	1
6	Cable de alimentación	1
7	Pestillo de la tapa	2

Artículo	Descripción	Cantidad
8	Marco medio	1
9	Soporte inferior del motor	1
10	Tanque de polvo	1
11	Puerto de vacío	1
12	Carro con ruedas	1
13	Castor	4

Alton Industry Ltd. Group Garantía Limitada de 1 año

Esta garantía cubre cualquier defecto en materiales o habilidad del producto incluido.

Alton el Grupo de Industrias reparará o sustituirá cualquier material defectuoso debido a la artesanía del producto. Esta garantía no cubre ningún problema causado por el mal uso, el abuso, accidentes o actos del dios, como inundaciones o huracanes. También daños y perjuicios consiguientes y secundarios no son cubiertos conforme a esta garantía. La cobertura se termina si usted vende o de otra manera transfiere la propiedad.

Si usted siente que usted tiene un producto defectuoso por favor envíe el producto atrás, el franqueo pagado con una copia de su recibo para dirigirse debajo. Por favor llámese 1-888-899-0146 para instrucciones antes del devolver este artículo a la tienda o el enviar atrás:

**Alton Industry Ltd. Group
643 Innovation Dr.
West Chicago, IL 60185**

Inspeccionaremos el producto y nos pondremos en contacto con usted dentro de 72 horas para darle los resultados de nuestra inspección. Reservamos el derecho de reparar o sustituir el producto en nuestra discreción. Sin embargo, podemos sustituir el producto por uno de similar, pero no rasgos exactos.

Partes y Información de Servicio disponible llamada Alton Industries at 1-888-899-0146.

Esta garantía le da derechos específicos legales, y usted puede tener también otros derechos que varían de estado al estado.

DÉFINITIONS : SYMBOLES ET TERMES D'ALARME SÉCURITÉ

Ces guides d'utilisation utilisent les symboles et termes d'alarmes sécurité suivants pour vous prévenir de situations dangereuses et de risques de dommages corporels ou matériels.



DANGER : indique une situation dangereuse imminente qui, si elle n'est pas évitée, **entraînera la mort ou des blessures graves.**

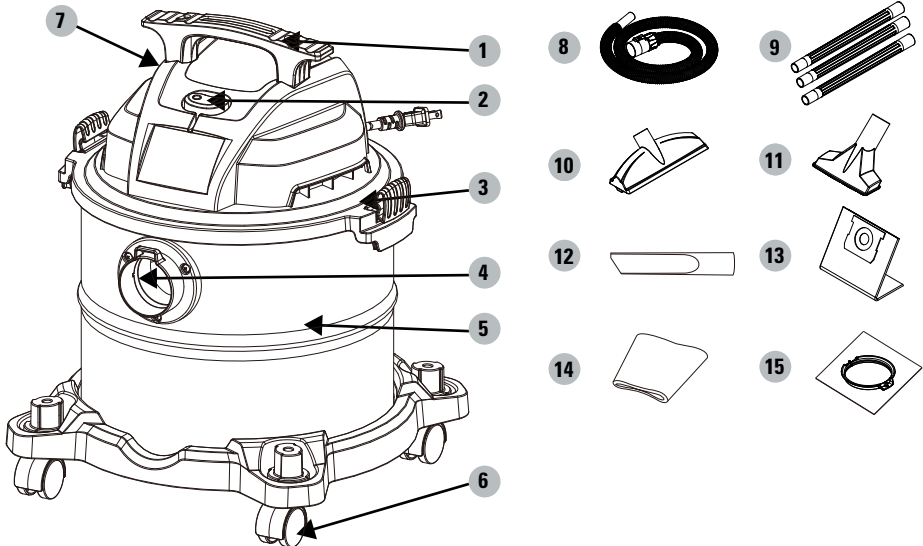


AVERTISSEMENT : indique une situation potentiellement dangereuse qui, si elle n'est pas évitée, **pourrait entraîner la mort ou des blessures graves.**



ATTENTION : indique une situation potentiellement dangereuse qui, si elle n'est pas évitée, **pourrait entraîner des blessures légères ou modérées.**

AVIS : indique une pratique ne posant **aucun risque de dommages corporels** mais qui par contre, si rien n'est fait pour l'éviter, **pourrait poser des risques de dommages matériels.**



- | | |
|--------------------------------------|---|
| 1 Poignée adhérence | 13 Sac à poussière jetable (19-3100) - Pour ramassage à sec seulement |
| 2 Interrupteur | 14 Filtre en mousse (19-1600) - Pour la collecte humide |
| 3 Loquet du couvercle | 15 Filtre en tissu réutilisable et anneau de serrage (19-1500) - Pour ramassage à sec seulement |
| 4 Aspirateur port | |
| 5 Bac à poussière | |
| 6 Roulette | |
| 7 Orifice de soufflante (invisibles) | |
| 8 Tuyau 3,2 cm x 1,5 m (13-3301) | |
| 9 Extenson tube (25-1205) | |
| 10 Buse de sol (13-1570) | |
| 11 Buse avaleur (13-1588) | |
| 12 Suceur plat (13-1508) | |



ATTENTION : Veuillez toujours appliquer le filtre approprié lorsque vous utilisez l'aspirateur pour éviter que des matériaux ou des débris ne pénètrent dans le boîtier du moteur.



AVERTISSEMENT : Lisez tous les avertissements de sécurité et toutes les instructions. Le non-respect des avertissements et des instructions peut entraîner un choc électrique, un incendie et/ou des blessures graves.



AVERTISSEMENT : Afin de réduire le risque de blessures, lire le mode d'emploi de l'outil.

Si vous avez des questions ou des commentaires, contactez-nous à l'adresse suivante : 1-888-899-0146.

CONSIGNES IMPORTANTES DE SÉCURITÉ

⚠ AVERTISSEMENT : Lors de l'utilisation de tout appareil électrique, des précautions de base doivent être suivies pour réduire tout risque d'incendie, de chocs électriques ou de dommages corporels, y compris les suivantes :

AVANT D'UTILISER CET APPAREIL, LIRE ET SUIVRE TOUTES LES CONSIGNES

⚠ AVERTISSEMENT : pour réduire tout risque de chocs électriques, ne pas l'exposer à la pluie. Entrepouser à l'intérieur.

- Ne pas laisser l'appareil sans surveillance lorsqu'il est branché sur le secteur. Le débrancher de la prise en d'utilisation, et avant tout entretien.
- Ne pas laisser l'appareil être utilisé comme un jouet. Être extrêmement vigilant lorsque l'appareil est utilisé par des enfants ou à leur proximité.
- Utiliser l'appareil SEULEMENT comme décrit dans ce manuel. Utiliser exclusivement des accessoires recommandés par ECOMAX.
- Ne pas utiliser cet appareil avec un cordon ou une endommagé. Si l'appareil ne fonctionne pas correctement, ou s'il est tombé, a été endommagé, laissé dehors, ou est tombé dans l'eau, le rapporter dans un centre de réparation.
- Ne pas tirer sur cet appareil ou le transporter par son cordon, ne pas utiliser son cordon comme poignée, le coincer dans une porte, ou le tirer sur des bords tranchants ou des coins. Ne pas passer sur le cordon avec l'appareil. Protéger le cordon de la chaleur.
- Ne pas le débrancher en tirant sur son cordon. Pour le débrancher, tirer sur la fiche et non pas sur le cordon.
- Ne pas manipuler la fiche ou l'appareil avec les mains humides.
- Ne disposer aucun objet dans les ouvertures de l'appareil. Ne pas utiliser l'appareil si ses ouvertures sont bloquées. Les maintenir propres et nettes de tout cheveu, poussière, peluche, ou toute autre chose pouvant en réduire la circulation d'air.
- Maintenir les cheveux, les vêtements amples, les doigts, et toute autre partie du corps éloignés des ouvertures et des pièces mobiles.
- Arrêter tout bouton de commande avant de débrancher l'appareil.
- Rester extrêmement vigilant lors du nettoyage d'escaliers.
- Ne pas utiliser l'appareil pour aspirer des liquides inflammables ou combustibles, tel l'essence, ou l'utiliser dans des lieux abritant des liquides inflammables ou combustibles.
- Les chocs statiques sont possibles dans les zones

sèches ou lorsque l'humidité relative de l'air est faible. Ceci n'est que temporaire et n'affecte pas l'utilisation de l'aspirateur. Pour réduire la fréquence des chocs statiques, ajoutez de l'humidité à l'air avec une console installée humide ou utiliser un tuyau antistatique (standard sur certains modèles).

- Pour éviter toute combustion spontanée, vider la cuve après chaque utilisation.

CONSERVER CES CONSIGNES RÈGLES DE SÉCURITÉ ADDITIONNELLES

⚠ AVERTISSEMENT :

- Ne pas aspirer des objets incandescents, ou se consumant, comme les cigarettes, les allumettes ou les cendres chaudes.
- Ne pas utiliser l'appareil pour aspirer des matériaux explosifs, comme le charbon, le grain, ou tout autre matériau combustible à fine texture.
- Ne pas l'utiliser pour aspirer des produits dangereux, toxiques ou carcinogènes, comme l'amiante ou les pesticides.
- Ne jamais aspirer des liquides explosifs(ex.: essence, diesel, mazout domestique, diluant, etc.), des acides ou des solvants.
- Ne pas utiliser l'aspirateur sans ses filtres, hormis comme indiqué dans la section Aspiration des déchets humides.
- Certains bois contiennent des conservateurs pouvant être toxiques. Lorsqu'on travaille avec ces matériaux, protéger la peau de tout contact et les poumons de toute inhalation. Se renseigner auprès du fournisseur du matériau pour obtenir toutes les directives de sécurité disponibles, et les suivre.
- Ne pas utiliser cet aspirateur comme escabeau. Ne pas mettre des objets lourds sur l'aspirateur.
- Pour la sécurité de l'utilisateur, utiliser une rallonge de calibre adéquat (AWG, American Wire Gauge [calibrage américain normalisé des fils électriques]).
- Plus le calibre est petit, et plus sa capacité est grande. Un calibre 16, par exemple, a plus de capacité qu'un calibre 18. L'usage d'une rallonge de calibre insuffisant causera une chute de tension qui entraînera perte de puissance et surchauffe. Si plus d'une rallonge est utilisée pour obtenir une certaine longueur, s'assurer que chaque rallonge présente au moins le calibre de fil minimum. Le tableau ci-dessous illustre le calibre à utiliser. En cas de doute, utiliser le calibre suivant. Plus le calibre est petit, plus la rallonge peut supporter de courant.
- Si l'utilisation d'une rallonge à l'extérieur est inévitable, elle doit comporter, suivant le type de cordon, les suffixes W-A ou W. Par exemple, SJTW-A indique que celle-ci peut être utilisée dehors.

Calibres minimaux des rallonges						
Intensité (en ampères)		Longueur totale de cordon en mètres (pieds)				
		Volts	7,6 (25)	15,2 (50)	30,5 (100)	45,7 (150)
		120V	7,6 (25)	15,2 (50)	30,5 (100)	45,7 (150)
		240V	15,2 (50)	30,5 (100)	61,0 (200)	91,4 (300)
Supérieur à	Inférieur à	AWG				
0	6	18	16	16	14	
6	10	18	16	14	12	
10	12	16	16	14	12	
12	16	14	12	Non recommandé		

⚠ AVERTISSEMENT : Ce produit ne doit PAS être utilisé pour le filtrage d'agents pathogènes, par exemple COVID-19. Suivez toutes les directives locales, régionales et fédérales sur les pratiques générales de nettoyage.

⚠ AVERTISSEMENT : Pendant l'utilisation, porter systématiquement une protection auditive individuelle adéquate homologuée ANSI S12.6 (S3.19). Sous certaines conditions et suivant la longueur d'utilisation, le bruit émanant de ce produit pourrait contribuer à une perte de l'acuité auditive.


⚠ AVERTISSEMENT : PORTER Utiliser des lunettes de sécurité. Les lunettes de jour ne sont PAS des lunettes de sécurité. Utiliser aussi un écran facial ou un masque antipoussières si la découpe doit en produire beaucoup.

PORTER SYSTÉMATIQUEMENT UN ÉQUIPEMENT DE SÉCURITÉ HOMOLOGUÉ :

- Protection oculaire ANSI Z87.1 (CAN/CSA Z94.3);
- Protection auditive ANSI S12.6 (S3.19);
- Protection des voies respiratoires NIOSH/OSHA/MSHA.

Pour réduire l'exposition à ces produits chimiques, portez des équipements de sécurité approuvés tels que des masques anti-poussière spécialement conçus pour filtrer les particules microscopiques.

⚠ AVERTISSEMENT : ENTRETIEN D'UN ASPIRATEUR POUR MATIÈRES SÈCHES ET LIQUIDES À DOUBLE ISOLATION.

Un aspirateur pour matières sèches et liquides à double isolation comporte deux systèmes d'isolation plutôt qu'un système de mise à la terre. Un appareil à double isolation n'est pas mis à la terre et ne doit pas l'être. L'entretien d'un aspirateur pour matières sèches et liquides à double isolation exige une extrême prudence et une connaissance du système, et ne doit être effectué que par un technicien qualifié. Les pièces de rechange d'un appareil à double isolation doivent être identiques aux pièces d'origine de ce produit. Votre aspirateur pour matières sèches et liquides porte la mention « DOUBLE INSULATED » (double isolation), ainsi que le symbole du  carré dans le carré.

IMPORTANT !

Si le cordon d'alimentation est endommagé, il doit être remplacé par le fabricant, par un de ses agents ou par une personne qualifiée afin d'écartier tout danger.

IMPORTANT !

Si le cordon d'alimentation est endommagé, il doit être remplacé par le fabricant, par un de ses agents ou par une personne qualifiée afin d'écartier tout danger. Débranchez toujours cet appareil avant d'en effectuer l'entretien. Avant d'utiliser l'appareil, assurez-vous que la fréquence et que la tension indiquée sur l'étiquette correspondent à la tension électrique de la source d'alimentation principale. Les caractéristiques et les détails relatifs au produit sont modifiables sans préavis. Les accessoires illustrés dans le présent document peuvent varier d'un modèle à l'autre.

GARANTIES IMPORTANTES

Le symbole apposé sur le produit et son emballage indique qu'il ne doit pas être jeté avec les déchets ménagers. Vous devez plutôt l'acheminer à un centre de recyclage des composants électriques et électroniques. Vous éviterez ainsi les incidences négatives sur l'environnement et sur la santé qu'occasionnerait la présence de ce produit dans les décharges publiques. Pour en savoir davantage sur le recyclage, veuillez communiquer avec votre administration municipale, votre service d'élimination des déchets ou le point de vente où vous vous être procuré le produit.



⚠ AVERTISSEMENT : Ce produit peut vous exposer à des produits chimiques, y compris le plomb, que l'État de la Californie reconnaît comme pouvant causer le cancer, des anomalies congénitales ou d'autres problèmes liés à la reproduction. Pour plus d'informations, rendez-vous sur www.P65Warnings.ca.gov.

⚠ AVERTISSEMENT :

- **LIRE TOUTES LES INSTRUCTIONS AVANT D'UTILISER CET APPAREIL. NE PAS CONDUIRE L'APPAREIL QUAND IL EST FIXE. DÉBRANCHER AVANT DE NETTOYER ET D'ENTRETIEN. UTILISEZ A L'INTÉRIEUR. NE PAS UTILISER AVEC UN CORDON OU UNE FICHE ENDOMMAGÉE. GARDER LE CORDON DES SURFACES CHAUFFÉES. NE PAS UTILISER POUR PICK UP INFLAMMABLES, LIQUIDES COMBUSTIBLES TELS QUE GASOLINE, OU UTILISER DANS LES ZONES DANS LESQUELLES ILS PEUVENT ÊTRE PRÉSENTÉS. NE PAS UTILISER PICKING QUELQUE QUOI EST BRÛLANT OU FUMEUR, TELS QUE CIGARETTES, MATCHES OU CISLES CHAUDES. NE PAS VACUUM TOXIQUE, CARCINOGENIQUE, COMBUSTIBLE OU AUTRE DANGEREUX MATÉRIAUX TELS QUE ASBESTOS, PLOMB, PESTICIDES OU AUTRES MATÉRIAUX DE**

DANGER POUR LA SANTÉ. DOUBLE ISOLATION - QUAND L'ENTRETIEN, UTILISE SEULEMENT IDENTIQUE PIÈCES DE REMPLACEMENT. POUR L'UTILISATION DU MÉNAGE SEULEMENT. LORS DE L'ENTRETIEN, UTILISEZ UNIQUEMENT DES PIÈCES DE RECHANGE IDENTIQUES. NE PAS UTILISER COMME TABOURET DE MARCHÉ.

CARACTÉRISTIQUES DU PRODUIT

Modèle	EM18115
Capacité du réservoir	18,9 Litres
Puissance	120 V / 60 Hz / 8 A
Moteur	Monophasé
Tuyau	3,2 cm x 1,5 m
Cable de alimentación	SJTW18AWG / 3 m long

CONSERVEZ CES INSTRUCTIONS MODE D'EMPLOI

1. Tirez les loquets du couvercle dans un mouvement vers l'extérieur, retirez la tête motrice et certains accessoires qui peuvent avoir été expédiés dans le réservoir.
2. Fixez les accessoires en suivant les instructions de ce manuel.
3. Avant de remplacer la tête motrice, reportez-vous à ce manuel pour vous assurer que le filtre approprié est installé pour l'opération de nettoyage.
4. Remettez la tête d'alimentation en place et appliquez une pression avec le pouce sur chaque loquet jusqu'à ce qu'il s'enclenche bien en place. Assurez-vous que tous les loquets du couvercle sont bien serrés.
5. Insérez l'extrémité du tuyau dans l'entrée du réservoir.
6. Fixez les rallonges à l'extrémité du tuyau. Appliquez une légère pression jusqu'à ce que le raccord soit bien serré.
7. Fixez l'un des accessoires de nettoyage (selon les besoins de nettoyage) aux rallonges.
8. Tournez légèrement pour serrer la connexion. Branchez le cordon dans la prise murale. L'aspirateur est prêt à l'emploi.
9. Pour réduire le risque de blessure par démarrage accidentel, coupez toujours l'aspirateur et débranchez la fiche d'alimentation de la prise murale avant d'installer une pièce ou un accessoire de nettoyage.

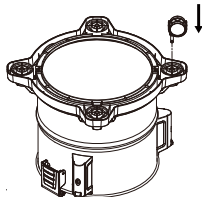
⚠ AVERTISSEMENT : Ne modifiez en aucun cas la fiche. Si la fiche ne rentre pas complètement dans la prise, inversez la fiche. Si elle ne rentre toujours pas, contactez un électricien qualifié pour installer la prise appropriée.

⚠ AVERTISSEMENT : Pour réduire le risque d'incendie ou d'explosion, n'utilisez pas cet aspirateur en présence de gaz, de vapeurs ou de poussières inflammables. Voici quelques exemples de gaz et de vapeurs inflammables : l'essence à briquet, les nettoyeurs de type solvants, les peintures à l'huile, l'essence, l'alcool ou les aérosols. Voici quelques exemples de poussières inflammables : le charbon, le magnésium, l'aluminium, les blocs de poudre ou la poudre noire. N'aspirez ni poussières, ni liquides inflammables, ni combustibles, ni cendres chaudes. N'utilisez pas cet aspirateur pour pulvériser des liquides inflammables ou combustibles. Afin de réduire les risques pour la santé associés aux vapeurs et aux poussières, n'aspirez pas de matériaux toxiques.

⚠ AVERTISSEMENT : Tout aspirateur pour matières sèches et liquides peut projeter des corps étrangers, présentant ainsi des risques de blessure aux yeux. Mettez toujours des lunettes de sécurité conformes à la norme ANSI Z87.1 (ou, au Canada, à la norme CSA Z94.3) avant d'utiliser l'appareil.

ENSEMBLE DE SUPPORT / ACCESSOIRE ROULETTE

1. Tirez les loquets du couvercle dans un mouvement vers l'extérieur, retirez la tête d'alimentation et certains accessoires qui peuvent avoir été expédiés dans le réservoir.
2. Fixez les roulettes en suivant les instructions ci-dessous :
 - a. Inversez le réservoir à poussière. Insérez les roulettes dans les trous prévus à cet effet sur le chariot jusqu'à ce qu'elles s'enclenchent.
 - b. Remettez le réservoir à poussière à la verticale.



3. Avant de remplacer la tête d'alimentation, reportez-vous à ce manuel pour vous assurer que les filtres appropriés sont installés pour l'opération de nettoyage.
4. Remplacez la tête d'alimentation et appliquez une pression avec le pouce sur chaque loquet jusqu'à ce qu'il s'enclenche fermement. Assurez-vous que tous les loquets du couvercle sont bien serrés.

5. Insérez l'extrémité du tuyau dans l'entrée du réservoir.
6. Fixez les rallonges à l'extrémité du tuyau. Appliquez une légère pression jusqu'à ce que le raccord soit bien serré.
7. Fixez l'un des accessoires de nettoyage (selon les exigences de nettoyage) sur les rallonges. Tournez légèrement pour resserrer la connexion.
8. Branchez le cordon dans la prise murale. L'aspirateur est prêt à l'emploi.
9. Mettez l'appareil sur «MARCHÉ» en poussant l'interrupteur de la position «0» à la position «I». Le «0» est la position «OFF» et le «I» est la position «ON»

0 = OFF (arrêt)
I = ON (marche)



AVERTISSEMENT : Pour réduire le risque d'incendie ou d'explosion, n'utilisez pas cet aspirateur en présence de gaz, de vapeurs ou de poussières inflammables. Voici quelques exemples de gaz et de vapeurs inflammables : l'essence à briquet, les nettoyeurs de type solvants, les peintures à l'huile, l'essence, l'alcool ou les aérosols. Voici quelques exemples de poussières inflammables : le charbon, le magnésium, l'aluminium, les blocs de poudre ou la poudre noire. N'aspirez ni poussières, ni liquides inflammables, ni combustibles, ni cendres chaudes. N'utilisez pas cet aspirateur pour pulvériser des liquides inflammables ou combustibles. Afin de réduire les risques pour la santé associés aux vapeurs et aux poussières, n'aspirez pas de matériaux toxiques.

AVERTISSEMENT : Tout aspirateur pour matières sèches et liquides peut projeter des corps étrangers, présentant ainsi des risques de blessure aux yeux. Mettez toujours des lunettes de sécurité conformes à la norme ANSI Z87.1 (ou, au Canada, à la norme CSA Z94.3) avant d'utiliser l'appareil.

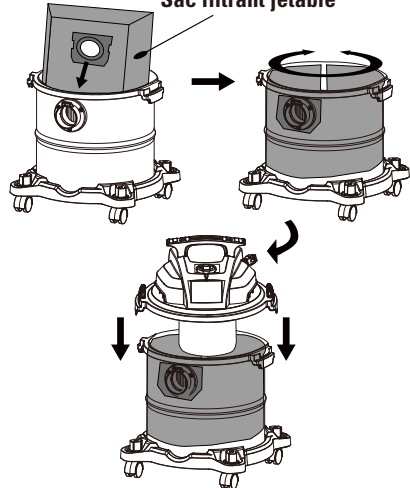
REMARQUER : Pour réduire le risque de dommages auditifs, portez des protections auditives lorsque vous utilisez le passer l'aspirateur pendant des heures prolongées ou lorsque vous l'utilisez dans un endroit bruyant.

INSTALLATION DU FILTRE JETABLE

1. Faites glisser fermement l'ouverture du collier en carton sur le déflecteur de l'orifice d'aspiration jusqu'à ce qu'il s'arrête contre la paroi du déflecteur.
2. Positionnez le sac de manière à ce qu'il soit réparti à l'intérieur du réservoir.

3. Remplacez et fixez la tête d'alimentation sur le réservoir.

Sac filtrant jetable



AVIS : N'UTILISEZ PAS LE SAC FILTRE JETABLE POUR ASPIRATEUR HUMIDE.

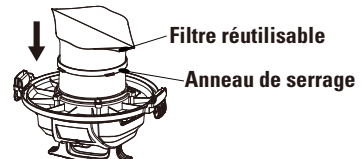
INSTALLATION DU FILTRE

1. Le filtre doit toujours être dans la bonne position pour réduire le risque de fuites et d'éventuels dommages à l'aspirateur. Assurez-vous que le filtre recouvre complètement la cage du filtre. Assurez-vous qu'il n'y a pas d'espace entre le filtre et le couvercle (voir illustration). Il est très important d'assembler le filtre à la cage sans fuites ni déchirures possibles. Toute fuite permettra aux débris ramassés d'être soufflés hors de l'orifice du ventilateur et renvoyés dans l'environnement environnant.
2. Lorsque vous utilisez l'aspirateur pour ramasser de la poussière fine, il sera nécessaire de vider le réservoir à poussière et de nettoyer et de remplacer le filtre à des intervalles plus fréquents pour maintenir les performances optimales de l'aspirateur.

SE SOUVENIR! Le filtre en mousse et le filtre sec réutilisable avec anneau doivent être installés pour le ramassage à sec.

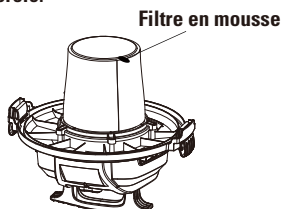
AVIS :

Un filtre sec est nécessaire pour ramasser les matières sèches. Si vous utilisez l'aspirateur pour ramasser la poussière lorsque le filtre est humide, le filtre se bouchera rapidement et sera très difficile à nettoyer. Si le filtre est mouillé, remplacez-le avant de continuer à faire des collectes à sec.



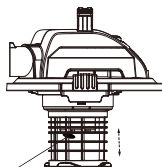
RAMASSAGE HUMIDE

Ce nettoyeur nécessite une conversion minimale lors du passage du ramassage sec au ramassage humide. Un filtre à cartouche propre (non inclus) peut être utilisé pour aspirer de petites quantités de liquide. Pour de meilleurs résultats lors de l'aspiration de grandes quantités de liquide, retirez le filtre à cartouche et tous les filtres à poussière jetables ou réutilisables. Installez le filtre en mousse. L'installation du filtre en mousse aidera à protéger le moteur et à minimiser le risque de formation de buée pouvant apparaître dans l'air d'échappement ou de gouttes de liquide autour du couvercle.



AVIS :
LES ACCESSOIRES DE RAMASSAGE MOUILLÉS DOIVENT ÊTRE LAVÉS PÉRIODIQUEMENT, EN PARTICULIER APRÈS AVOIR RAMASSÉ DES FLUIDES OU DES DÉVERSEMENTS MOUILLÉS, COLLANTS. CELA PEUT ÊTRE ACCOMPLI AVEC UNE SOLUTION CHAUDE DE SAVON ET D'EAU.

Cet aspirateur eau/poussière est équipé d'un mécanisme à flotteur qui monte automatiquement pour couper le flux d'air lorsque le liquide dans le réservoir atteint un niveau prédéterminé. Lorsque cela se produit, éteignez l'aspirateur, débranchez le cordon d'alimentation et videz le réservoir à poussière. Vous saurez que le flotteur a coupé le flux d'air car l'aspiration cesse et le bruit du moteur devient plus élevé en raison de l'augmentation de la vitesse du moteur. La capacité de liquide peut varier avec le taux de ramassage.



Flotteur en position relevée

IMPORTANT !

Pour réduire le risque de dommages à l'aspirateur, ne faites pas fonctionner le moteur avec le flotteur en position relevée.

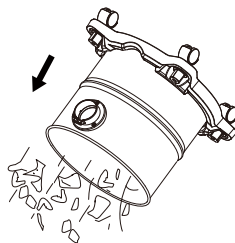
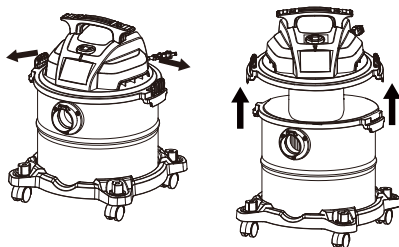
AVIS :

SI ACCIDENTELLEMENT BASCULÉ, L'ASPIRATEUR POURRAIT FERMER L'ASPIRATION. SI CELA SE PRODUIT, PLACEZ L'ASPIRATEUR EN POSITION VERTICALE ET ARRÊTEZ L'INTERRUPTEUR. CELA PERMETTRA AU FLOTTEUR DE RETOURNER À SA POSITION NORMALE ET VOUS POURREZ POURSUIVRE L'UTILISATION.

VIDANGE DU RÉSERVOIR

⚠ AVERTISSEMENT : Pour réduire le risque de blessures causées par un démarrage accidentel, débranchez le cordon d'alimentation avant de vider le réservoir à poussière.

1. Retirez l'ensemble de tête d'alimentation de l'aspirateur eau/poussière en tirant vers l'extérieur sur les clips du couvercle situés de chaque côté de l'aspirateur. Soulevez l'ensemble de tête d'alimentation.
2. Vider le contenu du réservoir dans le conteneur d'élimination des déchets approprié.



OPÉRATION DE SOUFFLAGE

⚠ AVERTISSEMENT : Portez toujours des lunettes de sécurité conformes à la norme ANSI Z87.1 ou, au Canada, à la norme CSA Z94.3 lorsque vous utilisez l'aspirateur pour souffler des matières.

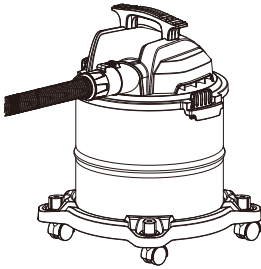
⚠ AVERTISSEMENT : Afin de ne pas blesser de passants, éviter de souffler des débris dans leur direction.

⚠ AVERTISSEMENT : Portez un masque antipoussières si le soufflage produit de la poussière que vous êtes susceptible d'inhaler.

⚠ MISE EN GARDE : Pour réduire le risque de perte auditive, portez des protecteurs d'oreille lorsque vous utilisez la fonction de soufflage de l'aspirateur pendant de longues périodes ou dans un endroit bruyant. Votre aspirateur est doté d'une fonction de soufflage. Il a la capacité de souffler la sciure de bois et d'autres débris.

L'aspirateur peut être utilisé pour souffler la poussière et les débris à l'extérieur des garages, des terrasses ou des entrées. Suivez les étapes ci-dessous pour utiliser la fonction de soufflage de votre aspirateur.

1. Repérez l'orifice de soufflage sur votre aspirateur.
2. Insérez une extrémité du tuyau de 1-1/4 in. x 5 ft. (3,2 cm x 1,5 m) dans l'orifice de soufflage.
3. Allumez l'aspirateur



REPLACEMENT DU FILTRE

⚠ AVERTISSEMENT : Pour réduire le risque de blessures causées par un démarrage accidentel, débranchez le cordon d'alimentation avant de changer ou de nettoyer le filtre. Le filtre doit être nettoyé fréquemment pour maintenir une performance d'aspiration maximale.

⚠ AVERTISSEMENT : Ne retirez pas la cage du filtre et le flotteur. Le flotteur empêche l'eau de pénétrer dans la turbine et d'endommager le moteur. La cage empêche les doigts de toucher la roue mobile.

⚠ ATTENTION : Pour éviter d'endommager la turbine et le moteur, réinstallez toujours le filtre réutilisable avant d'utiliser l'aspirateur pour les ramassages secs et réinstallez toujours le filtre en mousse avant d'utiliser l'aspirateur pour les ramassages secs et les ramassages humides.

⚠ ATTENTION : Après le nettoyage, vérifiez que le filtre ne présente pas de déchirures ou de petits trous. N'utilisez pas un filtre troué ou déchiré. Même un petit trou peut faire sortir de la poussière de l'aspirateur. Remplacez-le immédiatement.

⚠ ATTENTION : Si le filtre est propre et non endommagé, remplacez-le sur la cage du filtre. S'il ne peut pas être réutilisé, placez un nouveau filtre sur la cage du filtre.

⚠ ATTENTION : Nettoyez le filtre dans une zone dégagée.

NETTOYAGE

Pour conserver l'aspect optimal de l'aspirateur eau/poussière, utilisez un chiffon imbibé uniquement d'eau et de savon doux pour nettoyer sa surface.

Pour nettoyer le réservoir :

1. Videz les débris.
2. Lavez soigneusement le réservoir avec un chiffon imbibé uniquement d'eau et de savon doux.
3. Essuyez avec un chiffon sec.

STOCKAGE

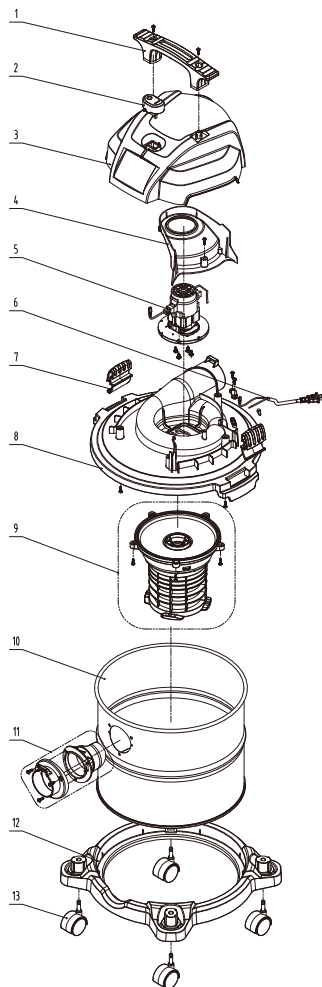
Avant de ranger l'aspirateur, le réservoir à poussière doit être vidé et nettoyé. Le cordon doit être enroulé et suspendu à l'appareil et les accessoires doivent être conservés dans le porte-accessoires. L'aspirateur doit être stocké à l'intérieur.

GUIDE DE DÉPANNAGE

Los problemas menores a menudo se pueden solucionar sin llamar al servicio de atención al cliente.

SYMPTÔME	CAUSE(S) PROBABLE(S)	MESURE CORRECTIVE
L'aspirateur ne fonctionne pas	Pas d'alimentation électrique	Assurez-vous que la prise de courant est alimentée (vous devrez peut-être faire appel à un électricien)
L'aspiration est réduite lors du ramassage des matières liquides	1. Le réservoir est plein 2. Le tuyau est obstrué 3. Le filtre est obstrué	1. Vider et nettoyer le réservoir 2. Retirer le tuyau et enlever les débris 3. Nettoyez ou remplacez le filtre
L'aspiration est réduite lors du ramassage des matières liquides	1. Le réservoir est plein 2. Le tuyau est obstrué 3. Le filtre est obstrué	1. Vider et nettoyer le réservoir 2. Retirer le tuyau et enlever les débris 3. Nettoyez ou remplacez le filtre

VUE ÉCLATÉE / LISTE DE PIÈCES



Pièce	Description	Quantité
1	Gérer	1
2	Interrupteur	1
3	Le couvercle supérieur	1
4	Défecteur thermique	1
5	Moteur	1
6	Cordon d'alimentation	1
7	Loquet du couvercle	2

Pièce	Description	Quantité
8	Cadre moyen	1
9	Support inférieur moteur	1
10	Réservoir à poussière	1
11	Orifice de vide	1
12	Chariot à roulettes	1
13	Roulette	4

GARANTIE

**Alton Industry Ltd. Group
Garantie limitée de 1 an**

Cette garantie couvre tout défaut de matériel ou de main-d'oeuvre de ce produit. Alton Industries Ltd. Group réparera ou remplacera tout matériel ayant un défaut de fabrication. Cette garantie ne couvre pas tout problème causé par la mauvaise utilisation, l'abus, les accidents ou les catastrophes naturelles, telles que les inondations ou les ouragans. De plus, les dommages indirects ou accessoires ne sont pas couverts par cette garantie. La couverture prend fin si le produit est vendu ou transféré d'une quelconque façon. Si le produit semble défectueux, soumettre une copie du reçu à l'adresse indiquée ci-dessous et téléphoner au 1-888-899-0146 pour obtenir des instructions avant de retourner ce produit au magasin ou à :

**Alton Industry Ltd. Group
643 Innovation Dr.
West Chicago, IL 60185**

Nous inspecterons le produit et communiquerons avec vous dans les 72 heures pour vous faire part des résultats de notre vérification. Nous nous réservons le droit de réparer ou remplacer le produit à notre discrétion. Néanmoins, nous pouvons remplacer le produit par un autre produit similaire, mais n'ayant pas exactement les mêmes caractéristiques.

Pour obtenir des renseignements sur les pièces et le service téléphoner au, 1-888-899-0146. Cette garantie vous donne des droits spécifiques; il se peut que vous ayez d'autres droits, car ils varient d'un État à l'autre.