



Fully Welded Ball Valves



TALOAR[®]

TALOAR INC
FLUID SYSTEMS, 2023

Sectional Energy Heating Solutions

TALOAR®

Leading complete solutions for sectional energy heating

TALOAR fully welded ball valves are optimal shutoff and control valves for centralized heating, cooling, and pipelines for remote transport of crude oil.

TALOAR INC serves as a world-leading supplier of flow control products and services, and provides a series of diversified fluid control products that are dedicated to commercial, water-related and industrial applications. The solutions provided by TALOAR INC constitute an important part of the leading plant asset management strategies.

In production,

as usual TALOAR incorporates the latest mechanical technologies and advanced automation systems to produce and deliver products that can maintain excellent quality. TALOAR cares and concerns for our users which is not a slogan, but has permeated into our management decisions and actions.

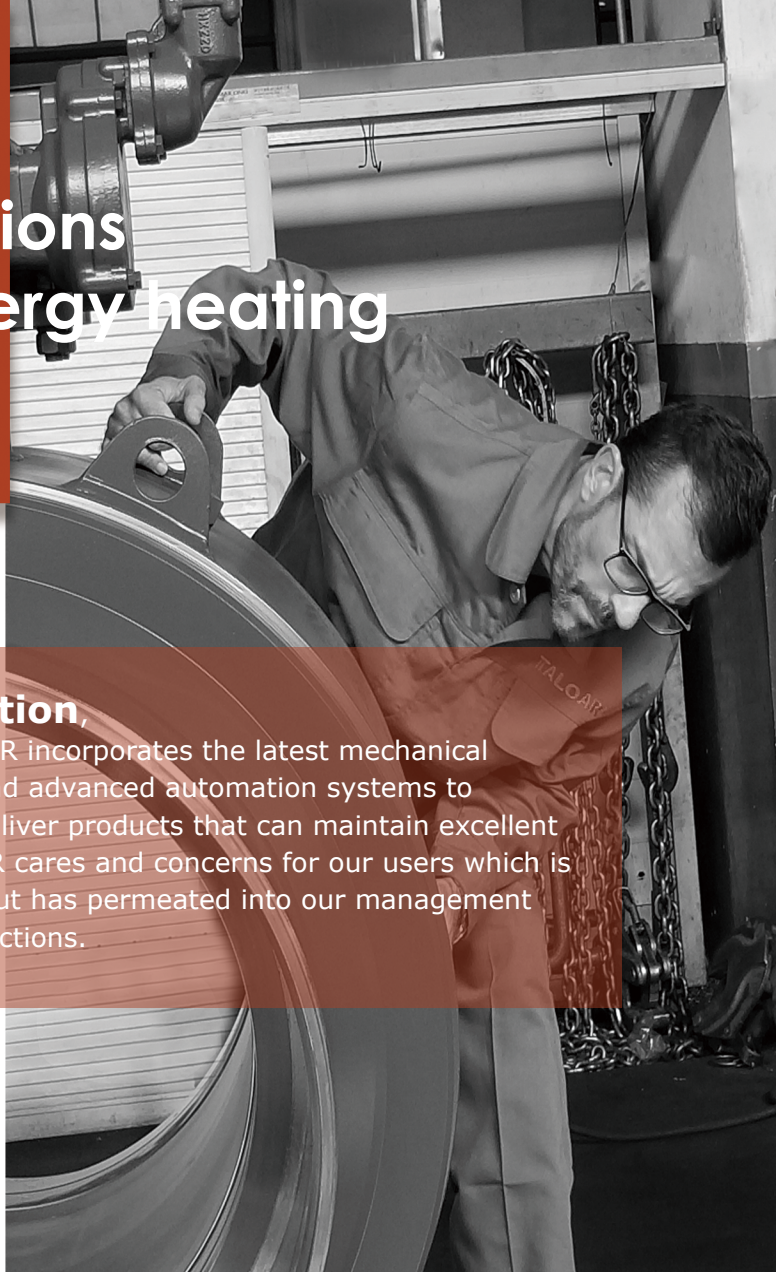
In TALOAR Quality is of top priority.

We are not only a leader in supplying flow control products, but also a recognized model in providing technical services. We will continue to upgrade our products and services. Listen and evaluate clients' feedback, perfect our product line to meet and exceed clients' satisfaction, and take TALOAR to another new level!

*Today, anywhere in the world,
we are keeping your systems safe and sound!*

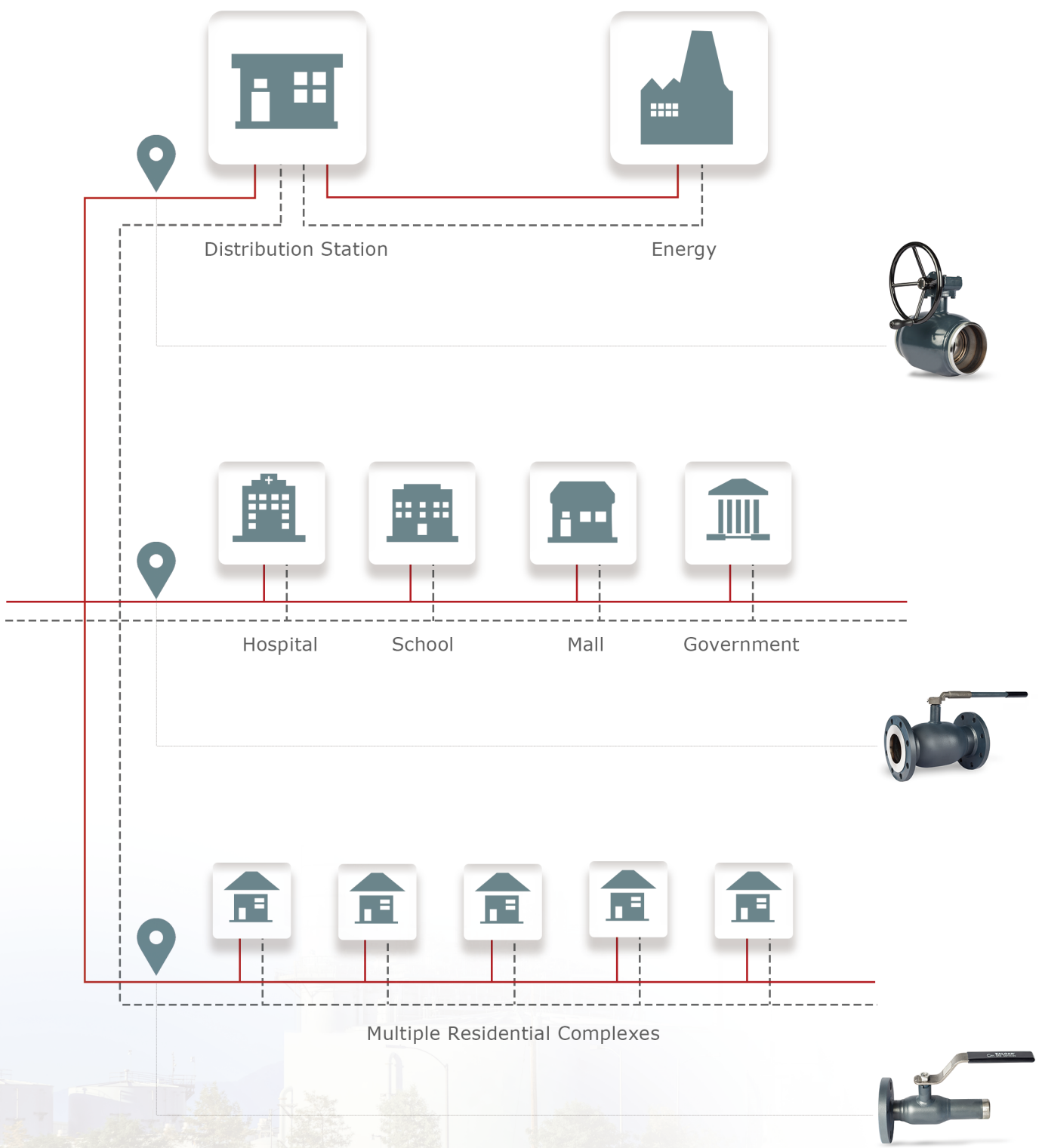
Our business philosophy is continuously developing new products, improving product quality and strictly controlling every production procedure.

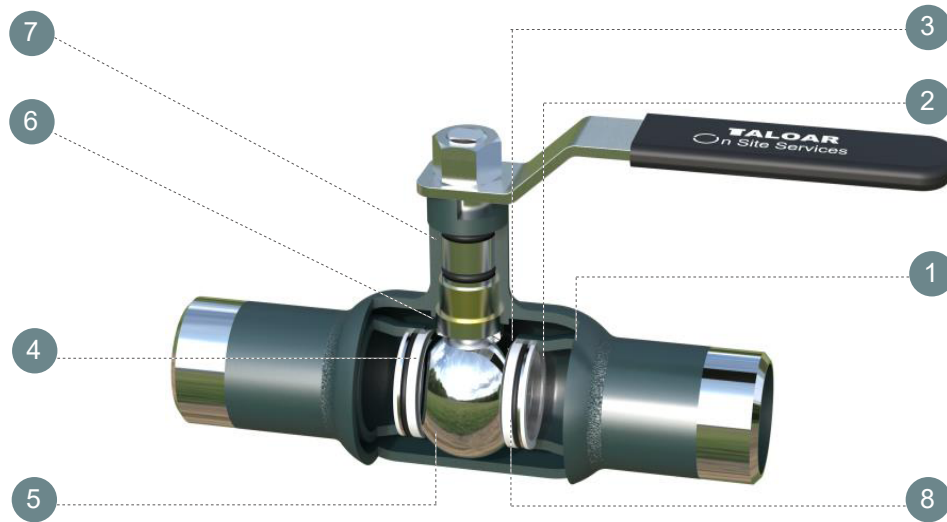
All TALOAR products are manufactured under the supervision of strict quality management system in compliance with ISO-9001 international standards that come with a warranty period of at least 18 months. (This warranty grants our clients specific legal rights to protect their lawful interests through laws enforced in local or other states.)



Centralized heating through a thermal power plant

Distribution grids and substations transport heat sources into the entire pipeline network of each building.





Product Features

1. One-piece fully welded valve body design.
2. Offers reduced bore valves or full-bore, low water resistance, and large flow design as options.
3. Spring loaded PTFE + C carbon-fiber sealing seat.
4. Bi-directional sealing to ensure zero leakage, easy to install.
5. High-quality stainless-steel balls.
6. Blowout-proof shaft design to ensure safe operation.
7. Replace the O-ring on line.
8. Double-sealed fireproof design of the valve metal seat to avoid seat damage due to fire.

TALOAR WB series are fully welded ball valves, compact, long service life, maintenance is just your original purchase cost! Design and manufacture conform to EN488, EN12266, and GOST.

Contents



Fully Welded Ball Valves

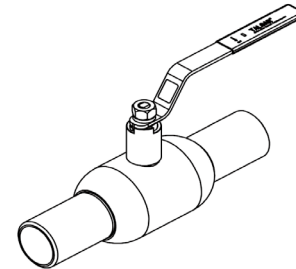
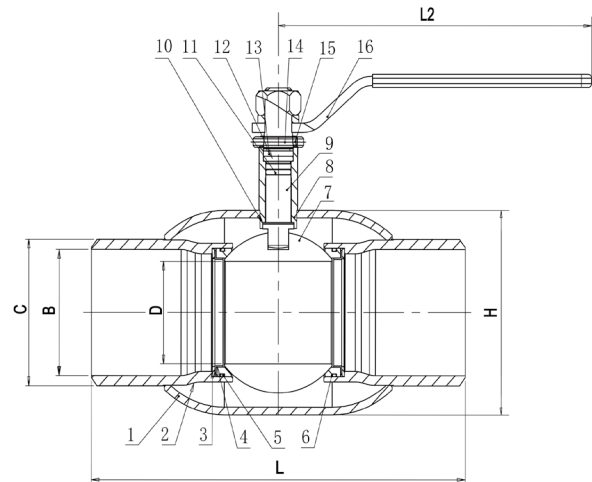
PN40/600PSI/Class300

Reduced Bore, Lever Handle, Floating Ball
Design to EN488
Pressure Test to EN12266.1



WB3532-L
SXS

Materials List		
1	Body	A106-B, EN10217-2
2	Welded Pipe	A106-B, EN10217-2
3	Spring	AISI 304, EN10088-3
4	Fireproof Gasket	AISI 304
5	O-Ring	Viton
6	Seat Ring	PTFE 25%C
7	Ball	AISI 304, EN10088-3
8	Stem Guide	A106-B, EN10217-2
9	Stem	ASTM A420, EN10088-3
10	Thrust Washer	PPL
11	O-Ring	Viton
12	O-Ring	Viton
13	Packing	Graphite
14	Gland	A106-B, EN10217-2
15	Pin	ASTM 1566
16	Lever Handle	AISI 1020



* Operating temperature range: -30°C ~ +200°C .
* For other materials and special requirements, please consult the factory or the local offices.

Dimensions/Weights									
In	D	B	C	H	L	L2	Kvs	Lbs	Kg
½	10	16	21	34	230	220	8	2.4	1.1
¾	15	19	27	42	230	220	15	2.6	1.2
1	20	26	34	48	230	220	26	3.5	1.6
1¼	25	34	42	60	260	220	40	4.2	1.9
1½	32	40	48	76	260	265	68	5.5	2.5
2	40	50	60	83	300	265	112	9.0	4.1

* Please consult the engineers for full-bore dimensions.

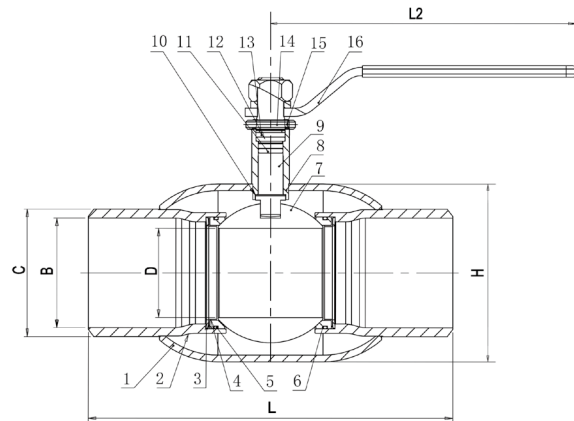
Fully Welded Ball Valves

PN25/400PSI/Class250

Reduced Bore, Leverage, Floating Ball
Design to EN488
Pressure Test to EN12266.1

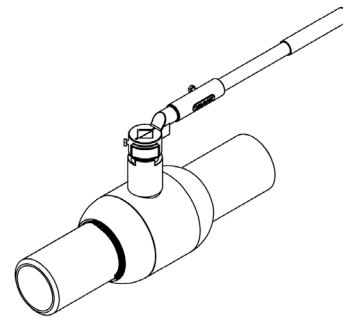


WB3522-P
SXS



Materials List		
1	Body	A106-B, EN10217-2
2	Welded Pipe	A106-B, EN10217-2
3	Spring	AISI 304, EN10088-3
4	Fireproof Gasket	AISI 304
5	O-Ring	Viton
6	Seat Ring	PTFE 25%C
7	Ball	AISI 304, EN10088-3
8	Stem Guide	A106-B, EN10217-2
9	Stem	ASTM A420, EN10088-3
10	Thrust Washer	PPL
11	O-Ring	Viton
12	O-Ring	Viton
13	Packing	Graphite
14	Gland	A106-B, EN10217-2
15	Pin	ASTM 1566
16	Lever Handle	AISI 1020

* Operating temperature range: -30°C ~ +200°C .
* For other materials and special requirements, please consult the factory or the local offices.



Dimensions/Weights									
In	D	B	C	H	L	L2	Kvs	Lbs	Kg
2 ½	50	64	76	102	300	420	185	12.6	5.7
3	65	77	89	127	300	420	295	19.6	8.9
4	80	96	108	152	325	420	460	27.6	12.5
5	100	121	133	180	325	420	730	40.6	18.4
6	125	147	159	219	350	420	1120	75	34

* Please consult the engineers for full-bore dimensions.

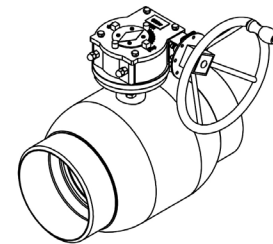
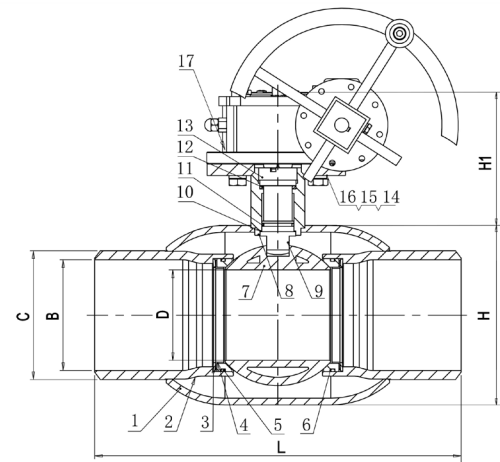
Fully Welded Ball Valves

PN25/400PSI/Class250

Reduced Bore, Worm Gear, Floating Ball
Design to EN488
Pressure Test to EN12266.1



WB3522-G
SXS



Materials List		
1	Body	A106-B, EN10217-2
2	Welded Pipe	A106-B, EN10217-2
3	Spring	AISI 304, EN10088-3
4	Fireproof Gasket	AISI 304
5	O-Ring	Viton
6	Seat Ring	PTFE 25%C
7	Ball	AISI 304, EN10088-3
8	Stem Guide	A106-B, EN10217-2
9	Stem	ASTM A420, EN10088-3
10	Thrust Washer	PPL
11	O-Ring	Viton
12	O-Ring	Viton
13	Gland	A106-B, EN10217-2
14	ISO Flange	ASTM A105
15	Screw	ASTM A193-B7
16	Spring Washer	ASTM 1566
17	Gearbox	ASTM A536

* Operating temperature range: -30°C ~ +200°C .
* For other materials and special requirements, please consult the factory or the local offices.

Dimensions/Weights									
In	D	B	C	H	L	H1	Kvs	Lbs	Kg
2½	50	64	76	102	300	164	185	12.6	5.7
3	65	77	89	127	300	177	295	19.6	8.9
4	80	96	108	152	325	233	460	27.6	12.5
6	125	147	159	219	350	281	1120	75	34
8	150	199	219	273	400	305	1620	119	54
10	200	253	273	351	560	353	3300	194	88
12	250	301	325	426	635	417	4600	364	165

* Please consult the engineers for full-bore dimensions.

Fully Welded Ball Valves

PN25/400PSI/Class250

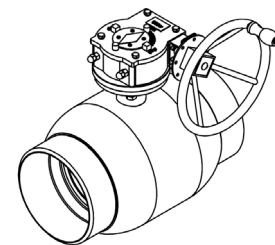
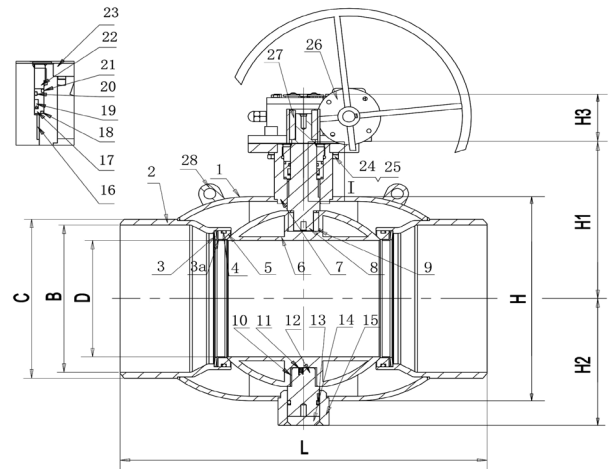
Reduced Bore, Worm Gear, Fixed Ball
Design to EN488

Pressure Test to EN12266.1



WB3622-G
SXS

Materials List		
1	Body	A106-B, EN10217-2
2	Welded Pipe	A106-B, EN10217-2
3	Spring	AISI 304, EN10088-3
3a	Fireproof Gasket	AISI 304
4	O-Ring	Viton
5	Seat Ring	PTFE 25%C
6	Ball	AISI 304, EN10088-3
7	Stem Guide	A106-B, EN10217-2
8	Stem	ASTM A420, EN10088-3
9	Lock Key	AISI 1045
10	Bearing	AISI 304 PTFE
11	Anti-Static Device	AISI 304
12	Fixing Bushing	ASTM A105
13	O-Ring	Viton
14	Closure	ASTM A53-F
15	Bottom Bushing	A106-B, EN10217-2
16	Bearing	AISI 304 PTFE
17	Gland Cover	A106-B, EN10217-2
18	Sealing Ring	AViton
22	Gland	A106-B, EN10217-2
23	ISO Flange	ASTM A105
24	Bolt	ASTM A193-B7
25	Spring Washer	ASTM 1566
26	Gearbox	ASTM A536
27	Lock Key	AISI 1045
28	Lifting Lug	ASTM A53-F



* Operating temperature range: -30°C ~ +200°C .
* For other materials and special requirements, please consult the factory or the local offices.

Dimensions/Weights											
In	D	B	C	H	L	H1	H2	H3	Kvs	Lbs	Kg
6	125	147	159	219	457	182	150	81	1120	75	34
8	150	199	219	273	521	226	174	81	1620	119	54
10	200	253	273	351	560	267	230	81	3300	194	88
12	250	250	325	426	635	307	277	90	4600	364	165

* Please consult the engineers for full-bore dimensions.

Fully Welded Ball Valves

PN25/400PSI/Class250

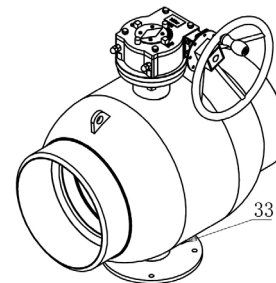
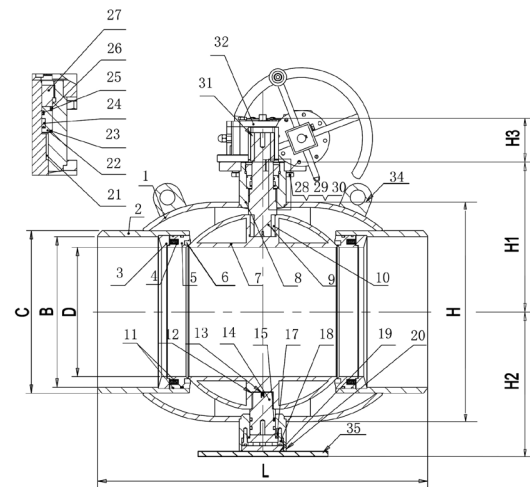
Reduced Bore, Worm Gear, Fixed Ball
Design to EN488

Pressure Test to EN12266.1



WB3622-G
SXS

Materials List		
1	Body	A106-B, EN10217-2
2	Welded Pipe	A106-B, EN10217-2
3	Baffle	ASTM A105
4	Spring	AISI 304, EN10088-3
5	Seat Ring	PTFE 25%C
6	Pressure Ring	ASTM A105
7	Ball	AISI 304, EN10088-3
8	Stem Guide	A106-B, EN10217-2
9	Stem	ASTM A420, EN10088-3
10	Lock Key	AISI 1045
11	O-Ring	Viton
12	Bearing	AISI 304 PTFE
13	Anti-Static Device	AISI 304
14	Fixing Bushing	ASTM A105
15	O-Ring	Viton
18	Screw	ASTM A193-B7
19	Closure	ASTM A53-F
20	Bottom Bushing	A106-B, EN10217-2
21	Bearing	AISI 304 PTFE
22	Gland Cover	A106-B, EN10217-2
23	O-Ring	Viton
27	Gland	A106-B, EN10217-2
28	ISO Flange	ASTM A105
29	Spring Washer	ASTM 1566
30	Bolt	ASTM A193-B7
31	Lock Key	AISI 1045
32	Gearbox	ASTM A536
33	Exhaust Valve	AISI 1025
34	Lifting Lug	ASTM A53-F
35	Seat	ASTM A53-F



* Operating temperature range: -30°C ~ +200°C .
* For other materials and special requirements, please consult the factory or the local offices.

Dimensions/Weights											
In	D	B	C	H	L	H1	H2	H3	Kvs	Lbs	Kg
14	300	349	377	508	762	347	335	96	8300	628	285
16	335	398	426	560	838	384	376	107	12500	915	415
18	385	448	480	640	914	425	425	107	15300	1493	677
20	438	490	530	735	991	480	497	107	18000	1528	693

* Please consult the engineers for full-bore dimensions.

Fully Welded Ball Valves

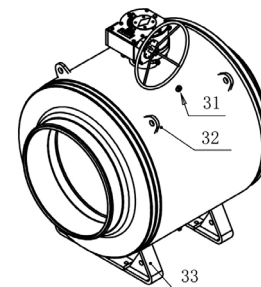
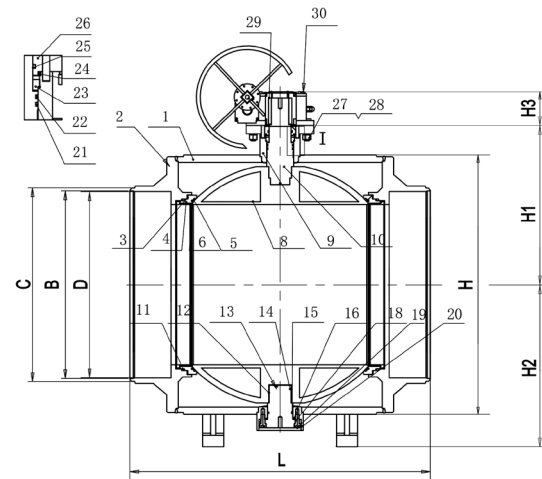
PN25/400PSI/Class250

Reduced Bore, Worm Gear, Fixed Ball
Design to EN488
Pressure Test to EN12266.1



WB3622-G
SXS

Materials list		
1	Body	A106-B, EN10217-2
2	Welded Pipe	A106-B, EN10217-2
3	Spring	AISI 304, EN10088-3
4	Baffle	ASTM A105
5	Seat Ring	Viton
6	Pressure Ring	PTFE
8	Ball	AISI 304, EN10088-3
9	Stem Guide	A106-B, EN10217-2
10	Stem	ASTM A420, EN10088-3
11	O-Ring	Viton
12	Bearing	AISI 304 PTFE
13	Anti-Static Device	AISI 304
14	Fixing Bushing	ASTM A105
15	O-Ring	Viton
18	Screw	ASTM A193-B7
19	Closure	ASTM A53-F
20	Bottom Bushing	A106-B, EN10217-2
21	O-Ring	Viton
23	Gland	A106-B, EN10217-2
24	O-Ring	Viton
26	ISO Flange	ASTM A105
27	Spring Washer	ASTM 1566
28	Bolt	ASTM A193-B7
29	Lock Key	AISI 1045
30	Gearbox	ASTM A536
31	Exhaust Valve	AISI 1025
32	Lifting Lug	ASTM A53-F
33	Seat	ASTM A53-F



* Operating temperature range: -30°C ~ +200°C .
* For other materials and special requirements, please consult the factory or the local offices.

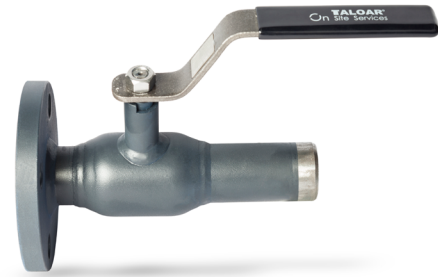
Dimensions/Weights											
In	D	B	C	H	L	H1	H2	H3	Kvs	Lbs	Kg
24	590	612	630	805	1143	546	540	125	29000	2304	1045
28	685	698	720	965	1346	625	635	146	35000	4406	1998
32	780	796	820	1120	1524	702	710	157	52000	6342	2876
36	874	894	920	1280	1727	790	810	157	58000	9232	4187
40	976	992	1020	1410	1840	865	885	187	75000	12172	5520
48	1166	1188	1220	1570	2100	965	980	187	108000	16615	7535

* Please consult the engineers for full-bore dimensions.

Fully Welded Ball Valves

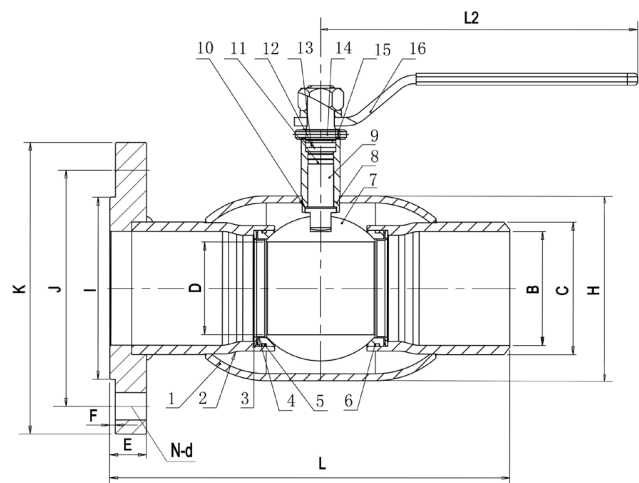
PN40/600PSI/Class300

Reduced Bore, lever Handle, Fixed Ball
Design to EN488
Pressure Test to EN12266.1



WB3523-L
FXS

Materials list		
1	Body	A106-B, EN10217-2
2	Welded Pipe	A106-B, EN10217-2
3	Spring	AISI 304, EN10088-3
4	Fireproof Gasket	AISI 304
5	O-Ring	Viton
6	Seat Ring	PTFE 25%C
7	Ball	AISI 304, EN10088-3
8	Stem Guide	A106-B, EN10217-2
9	Stem	ASTM A420, EN10088-3
10	Thrust Washer	PPL
11	O-Ring	Viton
12	O-Ring	Viton
13	Packing	Graphite
14	Gland	A106-B, EN10217-2
15	Pin	ASTM 1566
16	Lever Handle	AISI 1020



* Operating temperature range: -30°C ~ +200°C .
* For other materials and special requirements, please consult the factory or the local offices.

Dimensions/Weights															
In	D	B	C	H	I	J	K	E	F	N-d	L	L2	Kvs	Lbs	Kg
½	10	16	21	34	45	65	95	16	2	4-Φ14	180	220	8	4.0	1.8
¾	15	19	27	42	55	75	105	16	2	4-Φ14	190	220	15	5.1	2.3
1	20	26	34	48	65	85	115	16	2	4-Φ14	195	220	26	6.4	2.9
1¼	25	34	42	60	78	100	135	18	2	4-Φ18	220	220	40	8.6	3.9
1½	32	40	48	76	85	110	145	18	3	4-Φ18	230	265	68	10.4	4.7
2	40	50	60	83	100	125	160	20	3	4-Φ18	265	265	112	15.2	6.9

* Please consult the engineers for full-bore dimensions.

Fully Welded Ball Valves

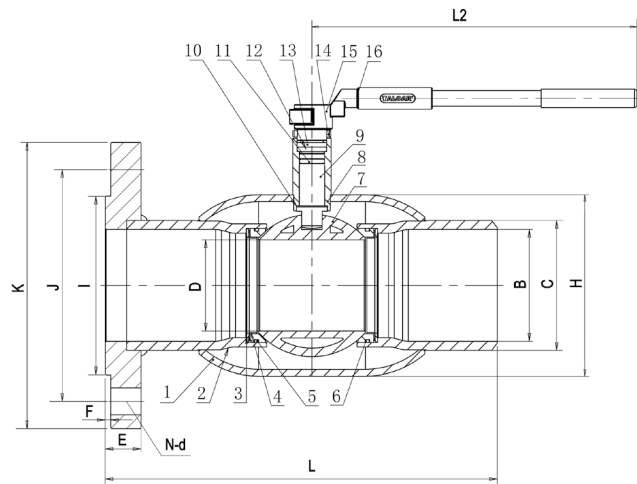
PN16/235PSI/Class125

Reduced Bore, Leverage, Floating Ball
Design to EN488
Pressure Test to EN12266.1



WB3513-P
FXS

Materials List		
1	Body	A106-B, EN10217-2
2	Welded Pipe	A106-B, EN10217-2
3	Spring	AISI 304, EN10088-3
4	Fireproof Gasket	AISI 304
5	O-Ring	Viton
6	Seat Ring	PTFE 25%C
7	Ball	AISI 304, EN10088-3
8	Stem Guide	A106-B, EN10217-2
9	Stem	ASTM A420, EN10088-3
10	Thrust Washer	PPL
11	O-Ring	Viton
12	O-Ring	Viton
13	Gland	A106-B, EN10217-2
14	Stop Plate	AISI 1020
15	Spring	ASTM1566
16	Handle	ASTM A216



* Operating temperature range: -30°C ~ +200°C .
* For other materials and special requirements, please consult the factory or the local offices.

Dimensions/Weights															
In	D	B	C	H	I	J	K	E	F	N-d	L	L2	Kvs	Lbs	Kg
2 ½	50	64	76	102	120	145	180	18	3	4-Φ18	285	420	185	19.2	8.7
3	65	77	89	127	135	160	195	20	3	8-Φ18	290	420	295	28.2	12.8
4	80	96	108	152	155	180	215	20	3	8-Φ23	312.5	420	460	37.9	17.2
5	100	121	133	180	185	210	245	22	3	8-Φ23	337.5	420	730	54.2	24.6
6	125	147	159	219	210	240	280	24	3	8-Φ23	355	420	1120	92.6	42

* Please consult the engineers for full-bore dimensions.

Fully Welded Ball Valves

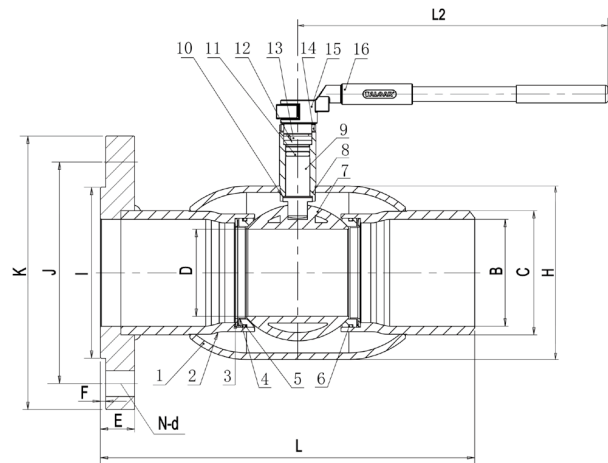
PN25/400PSI/Class250

**Reduced Bore, Leverage, Floating Ball
Design to EN488
Pressure Test to EN12266.1**



WB3523-P
FXS

Materials List		
1	Body	A106-B, EN10217-2
2	Welded Pipe	A106-B, EN10217-2
3	Spring	AISI 304, EN10088-3
4	Fireproof Gasket	AISI 304
5	O-Ring	Viton
6	Seat Ring	PTFE 25%C
7	Ball	AISI 304, EN10088-3
8	Stem Guide	A106-B, EN10217-2
9	Stem	ASTM A420, EN10088-3
10	Thrust Washer	PPL
11	O-Ring	Viton
12	O-Ring	Viton
13	Packing	Graphite
14	Gland	A106-B, EN10217-2
15	Pin	ASTM 1566
16	Handle	ASTM A216



* Operating temperature range: -30°C ~ +200°C .
* For other materials and special requirements, please consult the factory or the local offices.

Dimensions/Weights															
In	D	B	C	H	I	J	K	E	F	N-d	L	L2	Kvs	Lbs	Kg
2 ½	50	64	76	102	120	145	180	22	3	8-Φ18	285	420	185	20.7	9.4
3	65	77	89	127	135	160	195	22	3	8-Φ18	290	420	295	30.2	13.7
4	80	96	108	152	160	190	230	24	3	8-Φ23	312.5	420	460	41.9	19.0
5	100	121	133	180	188	220	270	28	3	8-Φ25	337.5	420	730	60.0	27.2
6	125	147	159	219	218	250	300	30	3	8-Φ25	355	420	1120	101.4	46.0

* Please consult the engineers for full-bore dimensions.

Fully Welded Ball Valves

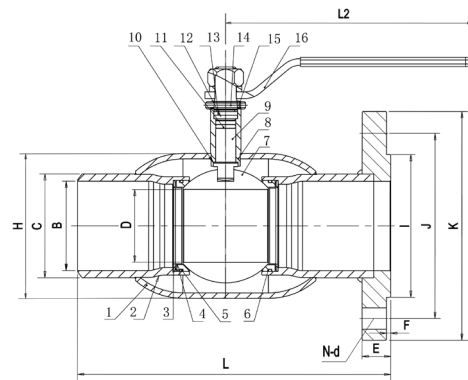
PN40/600PSI/Class300

Reduced Bore, Lever Handle, Floating Ball
Design to EN488
Pressure Test to EN12266.1



WB3535-L
SXF

Materials List		
1	Body	A106-B, EN10217-2
2	Welded Pipe	A106-B, EN10217-2
3	Spring	AISI 304, EN10088-3
4	Fireproof Gasket	AISI 304
5	O-Ring	Viton
6	Seat Ring	PTFE 25%C
7	Ball	AISI 304, EN10088-3
8	Stem Guide	A106-B, EN10217-2
9	Stem	ASTM A420, EN10088-3
10	Thrust Washer	PPL
11	O-Ring	Viton
12	O-Ring	Viton
13	Packing	Graphite
14	Gland	A106-B, EN10217-2
15	Pin	ASTM 1566
16	Handle	AISI 1020



* Operating temperature range: -30°C ~ +200°C .
* For other materials and special requirements, please consult the factory or the local offices.

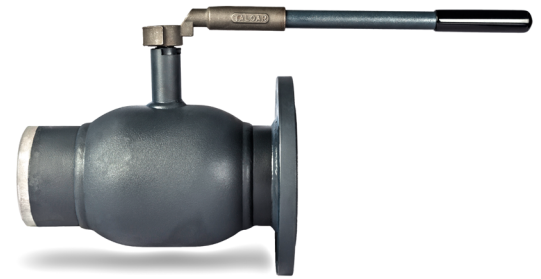
Dimensions/Weights															
In	D	B	C	H	I	J	K	E	F	N-d	L	L2	Kvs	Lbs	Kg
½	10	16	21	34	45	65	95	16	2	4-Φ14	180	220	8	4.0	1.8
¾	15	19	27	42	55	75	105	16	2	4-Φ14	190	220	15	5.4	2.3
1	20	26	34	48	65	85	115	16	2	4-Φ14	195	220	26	6.4	2.9
1¼	25	34	42	60	78	100	135	18	2	4-Φ18	220	220	40	8.6	3.9
1½	32	40	48	76	85	110	145	18	3	4-Φ18	230	265	68	10.4	4.7
2	40	50	60	83	100	125	160	20	3	4-Φ18	265	265	112	15.2	6.9

* Please consult the engineers for full-bore dimensions.

Fully Welded Ball Valves

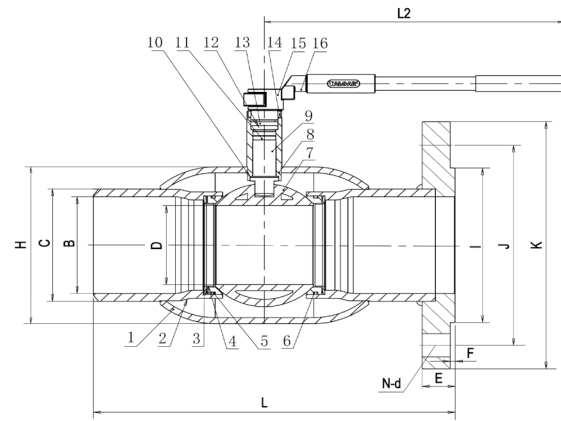
PN16/235PSI/Class125

Reduced Bore, Leverage, Floating Ball
Design to EN488
Pressure Test to EN12266.1



WB3515-P
SXF

Materials List		
1	Body	A106-B, EN10217-2
2	Welded Pipe	A106-B, EN10217-2
3	Spring	AISI 304, EN10088-3
4	Fireproof Gasket	AISI 304
5	O-Ring	Viton
6	Seat Ring	PTFE 25%C
7	Ball	AISI 304, EN10088-3
8	Stem Guide	A106-B, EN10217-2
9	Stem	ASTM A420, EN10088-3
10	Thrust Washer	PPL
11	O-Ring	Viton
12	O-Ring	Viton
13	Packing	Graphite
14	Gland	A106-B, EN10217-2
15	Pin	ASTM 1566
16	Handle	AISI 1020



* Operating temperature range: -30°C ~ +200°C .
* For other materials and special requirements, please consult the factory or the local offices.

Dimensions/Weights															
In	D	B	C	H	I	J	K	E	F	N-d	L	L2	Kvs	Lbs	Kg
2 ½	50	64	76	102	120	145	180	18	3	4-Φ18	285	420	185	19.2	8.7
3	65	77	89	127	135	160	195	20	3	8-Φ18	290	420	295	28.2	12.8
4	80	96	108	152	155	180	215	20	3	8-Φ18	312.5	420	460	37.7	17.1
5	100	121	133	180	185	210	245	22	3	8-Φ18	337.5	420	730	54.2	24.6
6	125	147	159	219	210	240	280	24	3	8-Φ23	355	420	1120	92.6	42

* Please consult the engineers for full-bore dimensions.

Fully Welded Ball Valves

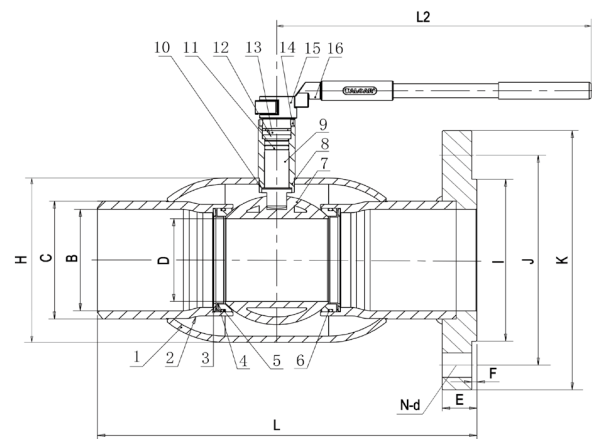
PN25/400PSI/Class250

Reduced Bore, Leverage, Floating Ball
Design to EN488
Pressure Test to EN12266.1



WB3525-P
SXF

Materials List		
1	Body	A106-B, EN10217-2
2	Welded Pipe	A106-B, EN10217-2
3	Spring	AISI 304, EN10088-3
4	Fireproof Gasket	AISI 304
5	O-Ring	Viton
6	Seat Ring	PTFE 25%C
7	Ball	AISI 304, EN10088-3
8	Stem Guide	A106-B, EN10217-2
9	Stem	ASTM A420, EN10088-3
10	Thrust Washer	PPL
11	O-Ring	Viton
12	O-Ring	Viton
13	Packing	Graphite
14	Gland	A106-B, EN10217-2
15	Pin	ASTM 1566
16	Handle	ASTM A216



* Operating temperature range: -30°C ~ +200°C .
* For other materials and special requirements, please consult the factory or the local offices.

Dimensions/Weights															
In	D	B	C	H	I	J	K	E	F	N-d	L	L2	Kvs	Lbs	Kg
2 ½	50	64	76	102	120	145	180	22	3	8-Φ18	285	420	185	20.7	9.4
3	65	77	89	127	135	160	195	22	3	8-Φ18	290	420	295	30.2	13.7
4	80	96	108	152	160	190	230	24	3	8-Φ23	312.5	420	460	41.9	19.0
5	100	121	133	180	188	220	270	28	3	8-Φ25	337.5	420	730	60	27.2
6	125	147	159	219	218	250	300	30	3	8-Φ25	355	420	1120	101.4	46

* Please consult the engineers for full-bore dimensions.

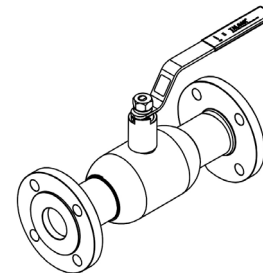
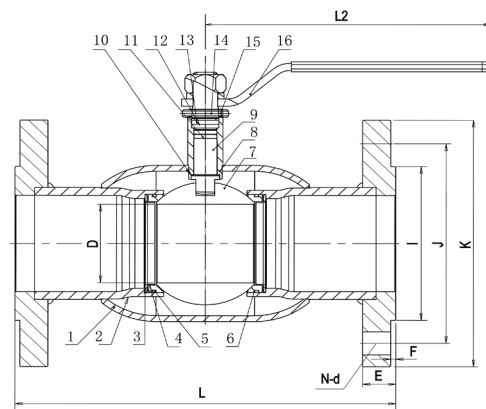
Fully Welded Ball Valves

PN40/600PSI/Class300

Reduced Bore, Lever Handle, Floating Ball
Design to EN488
Pressure Test to EN12266.1



WB3538-L
FXF



Materials List		
1	Body	A106-B, EN10217-2
2	Welded Pipe	A106-B, EN10217-2
3	Spring	AISI 304, EN10088-3
4	Fireproof Gasket	AISI 304
5	O-Ring	Viton
6	Seat Ring	PTFE 25%C
7	Ball	AISI 304, EN10088-3
8	Stem Guide	A106-B, EN10217-2
9	Stem	ASTM A420, EN10088-3
10	Thrust Washer	PPL
11	O-Ring	Viton
12	O-Ring	Viton
13	Packing	Graphite
14	Gland	A106-B, EN10217-2
15	Pin	ASTM 1566
16	Handle	AISI 1020

* Operating temperature range: -30°C ~ +200°C .
* For other materials and special requirements, please consult the factory or the local offices.

Dimensions/Weights												
In	D	I	J	K	E	F	N-d	L	L2	Kvs	Lbs	Kg
½	10	45	65	95	16	2	4-Φ14	130	220	8	5.7	2.6
¾	15	55	75	105	16	2	4-Φ14	150	220	15	7.5	3.4
1	20	65	85	115	16	2	4-Φ14	160	220	26	9.3	4.2
1¼	25	78	100	135	18	2	4-Φ18	180	220	40	12.8	5.8
1½	32	85	110	145	18	3	4-Φ18	200	265	68	15.2	6.9
2	40	100	125	160	20	3	4-Φ18	230	265	112	21.4	9.7

* Please consult the engineers for full-bore dimensions.

Fully Welded Ball Valves

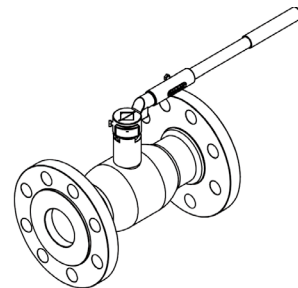
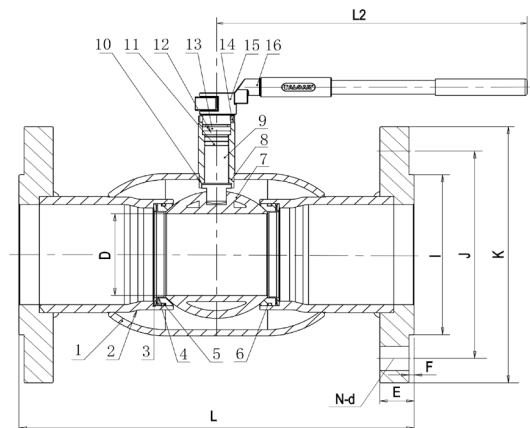
PN16/235PSI/Class125

Reduced Bore, Leverage, Floating Ball
Design to EN488
Pressure Test to EN12266.1



WB3518-P
FxF

Materials List		
1	Body	A106-B, EN10217-2
2	Welded Pipe	A106-B, EN10217-2
3	Spring	AISI 304, EN10088-3
4	Fireproof Gasket	AISI 304
5	O-Ring	Viton
6	Seat Ring	PTFE 25%C
7	Ball	AISI 304, EN10088-3
8	Stem Guide	A106-B, EN10217-2
9	Stem	ASTM A420, EN10088-3
10	Thrust Washer	PPL
11	O-Ring	Viton
12	O-Ring	Viton
13	Packing	Graphite
14	Gland	A106-B, EN10217-2
15	Pin	ASTM 1566
16	Handle	ASTM A216



* Operating temperature range: -30°C ~ +200°C .
* For other materials and special requirements, please consult the factory or the local offices.

Dimensions/Weights												
In	D	I	J	K	E	F	N-d	L	L2	Kvs	Lbs	Kg
2 ½	50	120	145	180	18	3	4-Φ18	270	420	185	26	11.8
3	65	135	160	195	20	3	8-Φ18	280	420	295	36.8	16.7
4	80	155	180	215	20	3	8-Φ18	300	420	460	48.1	21.8
5	100	185	210	245	22	3	8-Φ18	350	420	730	68.4	31.0
6	125	210	240	280	24	3	8-Φ23	360	420	1120	108	49

* Please consult the engineers for full-bore dimensions.

Fully Welded Ball Valves

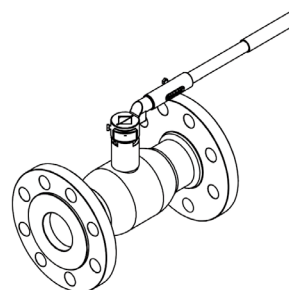
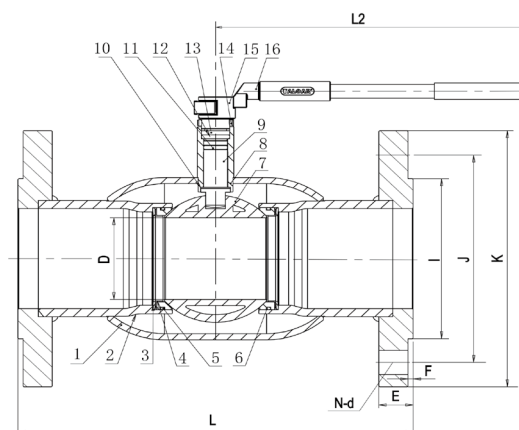
PN25/400PSI/Class250

Reduced Bore, Leverage, Floating Ball
Design to EN488
Pressure Test to EN12266.1



WB3528-P
FXF

Materials List		
1	Body	A106-B, EN10217-2
2	Welded Pipe	A106-B, EN10217-2
3	Spring	AISI 304, EN10088-3
4	Fireproof Gasket	AISI 304
5	O-Ring	Viton
6	Seat Ring	PTFE 25%C
7	Ball	AISI 304, EN10088-3
8	Stem Guide	A106-B, EN10217-2
9	Stem	ASTM A420, EN10088-3
10	Thrust Washer	PPL
11	O-Ring	Viton
12	O-Ring	Viton
13	Packing	Graphite
14	Gland	A106-B, EN10217-2
15	Pin	ASTM 1566
16	Handle	ASTM A216



* Operating temperature range: -30°C ~ +200°C .
* For other materials and special requirements, please consult the factory or the local offices.

Dimensions/Weights												
In	D	I	J	K	E	F	N-d	L	L2	Kvs	Lbs	Kg
2 ½	50	120	145	180	22	3	8-Φ18	270	420	185	28.9	13.1
3	65	135	160	195	22	3	8-Φ18	280	420	295	40.8	18.5
4	80	160	190	230	24	3	8-Φ18	300	420	460	56.2	25.5
5	100	188	220	270	28	3	8-Φ18	350	420	730	79.6	36.1
6	125	218	250	300	30	3	8-Φ23	360	420	1120	125.7	57

* Please consult the engineers for full-bore dimensions.

Fully Welded Ball Valves

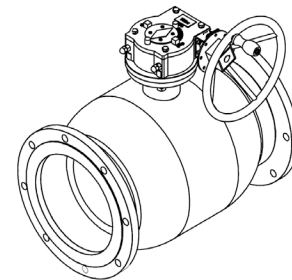
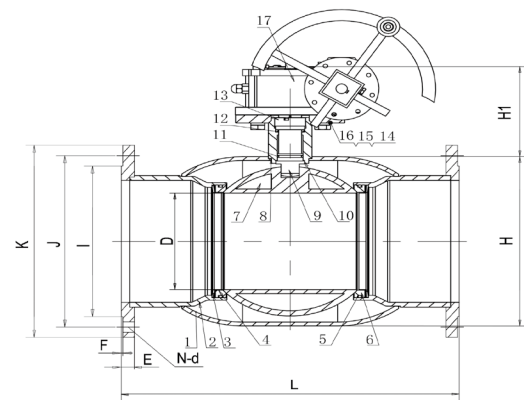
PN16/235PSI/Class125

Reduced Bore, Worm Gear, Floating Ball
Design to EN488
Pressure Test to EN12266.1



WB3518-G
FxF

Materials List		
1	Body	A106-B, EN10217-2
2	Welded Pipe	A106-B, EN10217-2
3	Spring	AISI 304, EN10088-3
4	Fireproof Gasket	AISI 304
5	O-Ring	Viton
6	Seat Ring	PTFE 25%C
7	Ball	AISI 304, EN10088-3
8	Stem Guide	A106-B, EN10217-2
9	Stem	ASTM A420, EN10088-3
10	Thrust Washer	PPL
11	O-Ring	Viton
12	O-Ring	Viton
13	Gland	A106-B, EN10217-2
14	ISO Flange	ASTM A105
15	Screw	ASTM A193-B7
16	Spring Washer	ASTM 1566
17	Gearbox	ASTM A536



- * Operating temperature range: -30°C ~ +200°C .
- * For other materials and special requirements, please consult the factory or the local offices.

Dimensions/Weights													
In	D	H	L	H1	I	J	K	E	F	N-d	Kvs	Lbs	Kg
6	125	219	360	281	210	240	280	24	3	8-Φ23	1120	108	49
8	150	273	419	305	265	295	335	26	3	12-Φ23	1620	170	77
10	200	351	568	344	320	355	405	30	3	12-Φ25	3300	267	121
12	250	426	648	411	375	410	460	30	4	12-Φ25	4600	461	209

* Please consult the engineers for full-bore dimensions.

Fully Welded Ball Valves

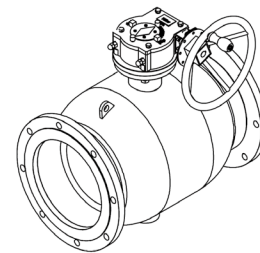
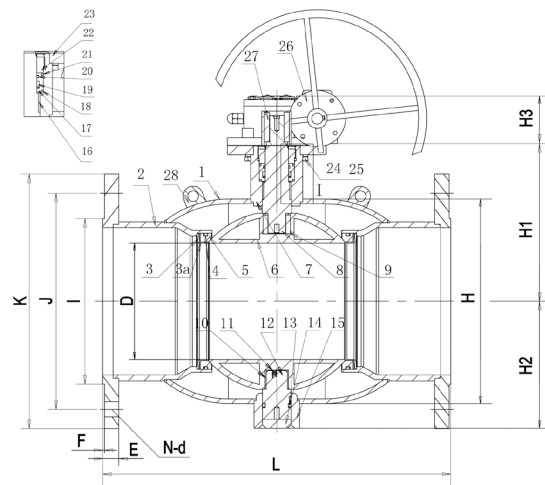
PN16/235PSI/Class125

Reduced Bore, Worm Gear, Fixed Ball
Design to EN488
Pressure Test to EN12266.1



WB3618-G
FXF

Materials List		
1	Body	A106-B, EN10217-2
2	Welded Pipe	A106-B, EN10217-2
3	Spring	AISI 304, EN10088-3
3a	Fireproof Gasket	AISI 304
4	O-Ring	Viton
5	Seat Ring	PTFE 25%C
6	Ball	AISI 304, EN10088-3
7	Stem Guide	A106-B, EN10217-2
8	Stem	ASTM A420, EN10088-3
9	Lock Key	AISI 1045
10	Bearing	AISI 304 PTFE
11	Anti-Static Device	AISI 304
12	Fixing Bushing	ASTM A105
13	O-Ring	Viton
14	Closure	ASTM A53-F
15	Bottom Bushing	A106-B, EN10217-2
16	Bearing	AISI 304 PTFE
17	Gland Cover	A106-B, EN10217-2
18	O-Ring	AViton
22	Gland	A106-B, EN10217-2
23	ISO Flange	ASTM A105
24	Bolt	ASTM A193-B7
25	Spring Washer	ASTM 1566
26	Gearbox	ASTM A536
27	Lock Key	AISI 1045
28	Lifting Lug	ASTM A53-F



* Operating temperature range: -30°C ~ +200°C .
* For other materials and special requirements, please consult the factory or the local offices.

Dimensions/Weights															
In	D	H	L	H1	H2	H3	I	J	K	E	F	N-d	Kv s	Lbs	Kg
6	125	219	403	182	150	81	210	240	280	24	3	8-Φ23	1120	126	57
8	150	273	502	226	174	81	265	295	335	26	3	12-Φ23	1620	187	85
10	200	351	568	267	230	81	320	355	405	30	3	12-Φ25	3300	291	132
12	250	426	648	307	277	90	375	410	460	30	4	12-Φ25	4600	531	241

* Please consult the engineers for full-bore dimensions.

Fully Welded Ball Valves

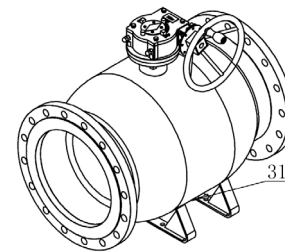
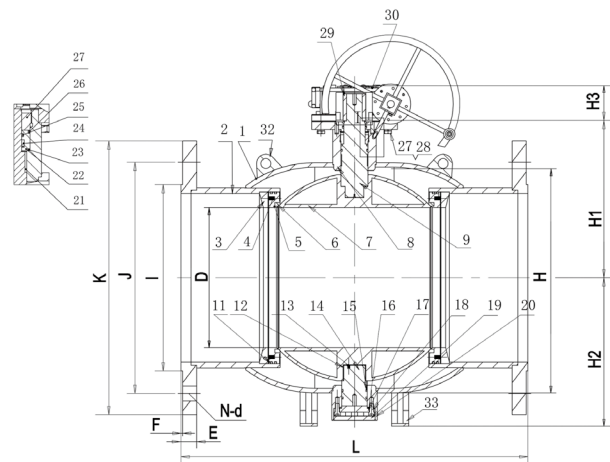
PN16/235PSI/Class125

Reduced Bore, Worm Gear, Fixed Ball
Design to EN488
Pressure Test to EN12266.1



WB3618-G
Fx F

Materials List		
1	Body	A106-B, EN10217-2
2	Welded Pipe	A106-B, EN10217-2
3	Baffle	ASTM A105
4	Spring	AISI 304, EN10088-3
5	Seat Ring	PTFE 25%C
6	Pressure Ring	ASTM A105
7	Ball	AISI 304, EN10088-3
8	Stem Guide	A106-B, EN10217-2
9	Stem	ASTM A420, EN10088-3
11	O-Ring	Viton
12	Bearing	AISI 304 PTFE
13	Anti-Static Device	AISI 304
14	Fixing Bushing	ASTM A105
15	O-Ring	Viton
17	End Cap	ASTM A53-F
18	Screw	ASTM A193-B7
19	Closure	ASTM A53-F
20	Bottom Bushing	AISI 1020
21	O-Ring	Viton
23	Gland	AISI 1020
24	O-Ring	Viton
26	ISO Flange	ASTM A105
27	Spring Washer	ASTM 1566
28	Bolt	ASTM A193-B7
29	Lock Key	AISI 1045
30	Gearbox	ASTM A536
31	Exhaust Valve	AISI 1025
32	Lifting Lug	ASTM A53-F
33	Seat	ASTM A53-F



* Operating temperature range: -30°C ~ +200°C .
* For other materials and special requirements, please consult the factory or the local offices.

Dimensions/Weights															
In	D	H	L	H1	H2	H3	I	J	K	E	F	N-d	Kvs	Lbs	Kg
14	300	508	762	347	335	96	435	470	520	34	4	16-Φ25	8300	774	351
16	335	560	838	384	376	107	485	525	580	36	4	16-Φ30	12500	1096	497
18	385	640	914	425	425	107	545	585	640	40	4	20-Φ30	15300	1716	778
20	438	735	991	480	497	107	608	650	705	44	4	20-Φ34	18000	1819	825

* Please consult the engineers for full-bore dimensions.

Fully Welded Ball Valves

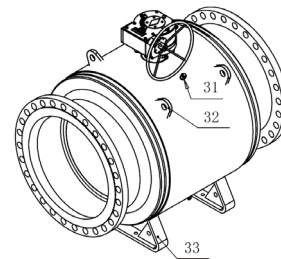
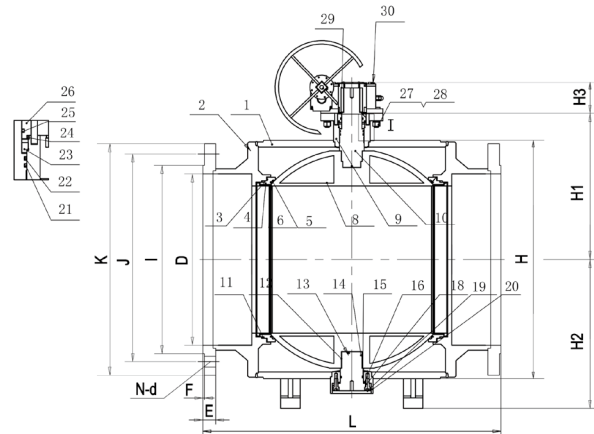
PN16/235PSI/Class125

Reduced Bore, Worm Gear, Fixed Ball
Design to EN488
Pressure Test to EN12266.1



WB3618-G
FXF

Materials List		
1	Body	A106-B, EN10217-2
2	Welded Pipe	A106-B, EN10217-2
3	Baffle	ASTM A105
4	Spring	AISI 304, EN10088-3
5	Seat Ring	PTFE 25%C
6	Pressure Ring	ASTM A105
7	Ball	AISI 304, EN10088-3
8	Stem Guide	A106-B, EN10217-2
9	Stem	ASTM A420, EN10088-3
11	O-Ring	Viton
12	Bearing	AISI 304 PTFE
13	Anti-Static Device	AISI 304
14	Fixing Bushing	ASTM A105
15	O-Ring	Viton
18	Screw	ASTM A193-B7
19	Closure	ASTM A53-F
20	Bottom Bushing	AISI 1020
21	O-Ring	Viton
23	Gland	AISI 1020
24	O-Ring	Viton
26	ISO Flange	ASTM A105
27	Spring Washer	ASTM 1566
28	Bolt	ASTM A193-B7
29	Lock Key	AISI 1045
30	Gearbox	ASTM A536
31	Exhaust Valve	AISI 1025
32	Lifting Lug	ASTM A53-F
33	Seat	ASTM A53-F



* Operating temperature range: -30°C ~ +200°C .
* For other materials and special requirements, please consult the factory or the local offices.

Dimensions/Weights															
In	D	H	L	H1	H2	H3	I	J	K	E	F	N-d	Kvs	Lbs	Kg
24	590	805	1143	546	540	125	718	770	840	48	5	20-Φ41	29000	2763	1253
28	685	965	1346	625	635	146	788	840	910	50	5	24-Φ41	35000	4831	2191
32	780	1120	1524	702	710	157	898	950	1020	52	5	24-Φ41	52000	6880	3120
36	874	1280	1727	790	810	157	998	1050	1120	54	5	28-Φ41	58000	9916	4497
40	976	1410	1900	865	885	187	1110	1170	1255	56	5	28-Φ48	75000	13199	5986
48	1166	1570	2180	965	980	187	1325	1390	1485	58	5	32-Φ54	108000	18335	8315

* Please consult the engineers for full-bore dimensions.

Fully Welded Ball Valves

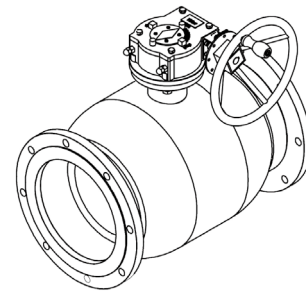
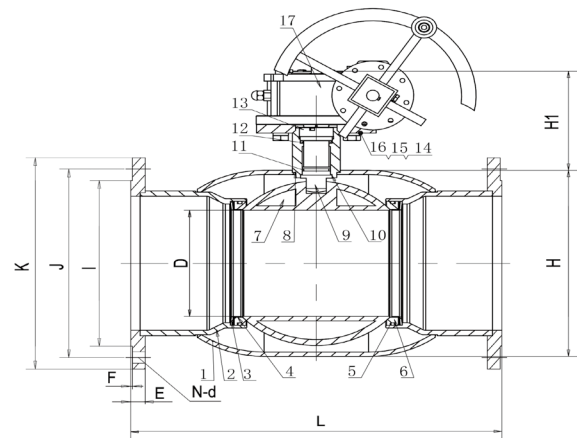
PN25/400PSI/Class250

Reduced Bore, Worm Gear, Floating Ball
Design to EN488
Pressure Test to EN12266.1



WB3528-G
FXF

Materials List		
1	Body	A106-B, EN10217-2
2	Welded Pipe	A106-B, EN10217-2
3	Spring	AISI 304, EN10088-3
4	Fireproof Gasket	AISI 304
5	O-Ring	Viton
6	Seat Ring	PTFE 25%C
7	Ball	AISI 304, EN10088-3
8	Stem Guide	A106-B, EN10217-2
9	Stem	ASTM A420, EN10088-3
10	Thrust Washer	PPL
11	O-Ring	Viton
12	O-Ring	Viton
13	Gland	A106-B, EN10217-2
14	ISO Flange	ASTM A105
15	Screw	ASTM A193-B7
16	Spring Washer	ASTM 1566
17	Gearbox	ASTM A536



* Operating temperature range: -30°C ~ +200°C .
* For other materials and special requirements, please consult the factory or the local offices.

Dimensions/Weights													
In	D	H	L	H1	I	J	K	E	F	N-d	Kvs	Lbs	Kg
6	125	219	360	281	218	250	300	30	3	8-Φ25	1120	126	57
8	150	273	419	305	278	310	360	34	3	12-Φ25	1620	194	88
10	200	351	568	353	332	370	425	36	3	12-Φ30	3300	300	136
12	250	426	648	417	390	430	485	40	4	16-Φ30	4600	503	228

* Please consult the engineers for full-bore dimensions.

Fully Welded Ball Valves

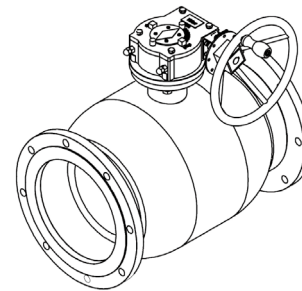
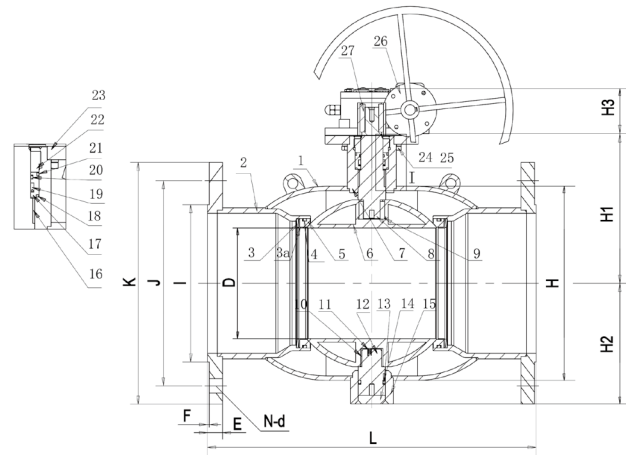
PN25/400PSI/Class250

Reduced Bore, Worm Gear, Fixed Ball
Design to EN488
Pressure Test to EN12266.1



WB3628-G
FXF

Materials List		
1	Body	A106-B, EN10217-2
2	Welded Pipe	A106-B, EN10217-2
3	Spring	AISI 304, EN10088-3
3a	Fireproof Gasket	AISI 304
4	O-Ring	Viton
5	Seat Ring	PTFE 25%C
6	Ball	AISI 304, EN10088-3
7	Stem Guide	A106-B, EN10217-2
8	Stem	ASTM A420, EN10088-3
9	Lock Key	AISI 1045
10	Bearing	AISI 304 PTFE
11	Anti-Static Device	AISI 304
12	Fixing Bushing	ASTM A105
13	O-Ring	Viton
14	Closure	ASTM A53-F
15	Bottom Bushing	A106-B, EN10217-2
16	Bearing	AISI 304 PTFE
17	Gland Cover	A106-B, EN10217-2
18	O-Ring	AViton
22	Gland	A106-B, EN10217-2
23	ISO Flange	ASTM A105
24	Bolt	ASTM A193-B7
25	Spring Washer	ASTM 1566
26	Gearbox	ASTM A536
27	Lock Key	AISI 1045
28	Lifting Lug	ASTM A53-F



* Operating temperature range: -30°C ~ +200°C .
* For other materials and special requirements, please consult the factory or the local offices.

Dimensions/Weights															
In	D	H	L	H1	H2	H3	I	J	K	E	F	N-d	Kvs	Lbs	Kg
6	125	219	403	182	150	81	218	250	300	30	3	8-Φ25	1120	135	61
8	150	273	502	226	174	81	278	310	360	34	3	12-Φ25	1620	203	92
10	200	351	568	267	230	81	332	370	425	36	3	12-Φ30	3300	337	153
12	250	426	648	307	277	90	390	430	485	40	4	16-Φ30	4600	584	265

* Please consult the engineers for full-bore dimensions.

Fully Welded Ball Valves

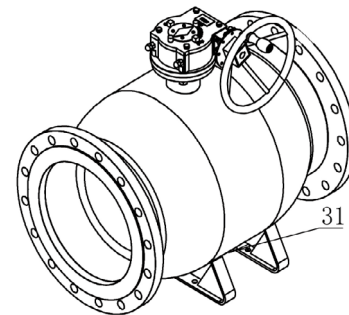
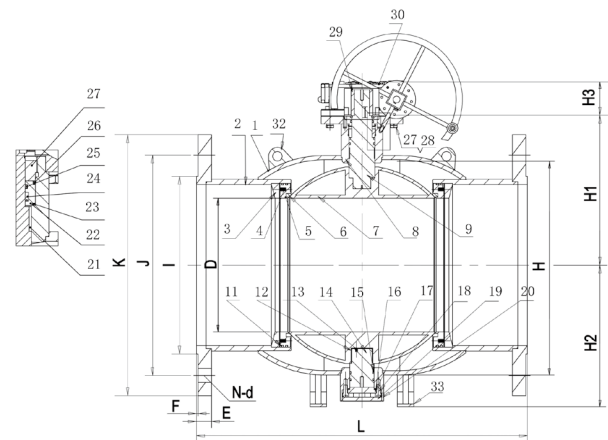
PN25/400PSI/Class250

Reduced Bore, Worm Gear, Fixed Ball
Design to EN488
Pressure Test to EN12266.1



WB3628-G
FXF

Materials List		
1	Body	A106-B, EN10217-2
2	Welded Pipe	A106-B, EN10217-2
3	Baffle	ASTM A105
4	Spring	AISI 304, EN10088-3
5	Seat Ring	PTFE 25%C
6	Pressure Ring	ASTM A105
7	Ball	AISI 304, EN10088-3
8	Stem Guide	A106-B, EN10217-2
9	Stem	ASTM A420, EN10088-3
11	O-Ring	Viton
12	Bearing	AISI 304 PTFE
13	Anti-Static Device	AISI 304
14	Fixing Bushing	ASTM A105
15	O-Ring	Viton
17	End Cap	ASTM A53-F
18	Screw	ASTM A193-B7
19	Closure	ASTM A53-F
20	Bottom Bushing	AISI 1020
21	O-Ring	Viton
23	Gland	AISI 1020
24	O-Ring	Viton
26	ISO Flange	ASTM A105
27	Spring Washer	ASTM 1566
28	Bolt	ASTM A193-B7
29	Lock Key	AISI 1045
30	Gearbox	ASTM A536
31	Exhaust Valve	AISI 1025
32	Lifting Lug	ASTM A53-F
33	Seat	ASTM A53-F



* Operating temperature range: -30°C ~ +200°C .
* For other materials and special requirements, please consult the factory or the local offices.

Dimensions/Weights															
In	D	H	L	H1	H2	H3	I	J	K	E	F	N-d	Kvs	Lbs	Kg
14	300	508	762	347	335	96	448	490	550	44	4	16-Φ34	8300	845	383
16	335	560	838	384	376	107	505	550	610	48	4	16-Φ34	12500	1195	542
18	385	640	914	425	425	107	555	600	660	50	4	20-Φ34	15300	1828	829
20	438	735	991	480	497	107	610	660	730	52	4	20-Φ41	18000	1956	887

* Please consult the engineers for full-bore dimensions.

Fully Welded Ball Valves

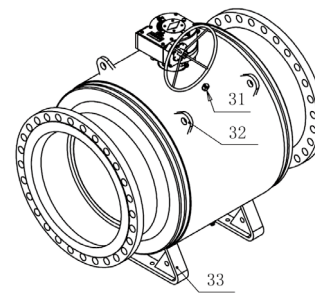
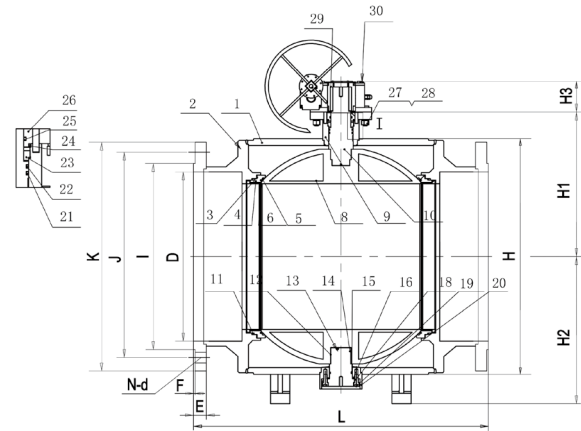
PN25/400PSI/Class250

Reduced Bore, Worm Gear, Fixed Ball
Design to EN488
Pressure Test to EN12266.1



WB3628-G
FxF

Materials List		
1	Body	A106-B, EN10217-2
2	Welded Pipe	A106-B, EN10217-2
3	Baffle	ASTM A105
4	Spring	AISI 304, EN10088-3
5	Seat Ring	PTFE 25%C
6	Pressure Ring	ASTM A105
7	Ball	AISI 304, EN10088-3
8	Stem Guide	A106-B, EN10217-2
9	Stem	ASTM A420, EN10088-3
11	O-Ring	Viton
12	Bearing	AISI 304 PTFE
13	Anti-Static Device	AISI 304
14	Fixing Bushing	ASTM A105
15	O-Ring	Viton
18	Screw	ASTM A193-B7
19	Closure	ASTM A53-F
20	Bottom Bushing	AISI 1020
21	O-Ring	Viton
23	Gland	AISI 1020
24	O-Ring	Viton
26	ISO Flange	ASTM A105
27	Spring Washer	ASTM 1566
28	Bolt	ASTM A193-B7
29	Lock Key	AISI 1045
30	Gearbox	ASTM A536
31	Exhaust Valve	AISI 1025
32	Lifting Lug	ASTM A53-F
33	Seat	ASTM A53-F

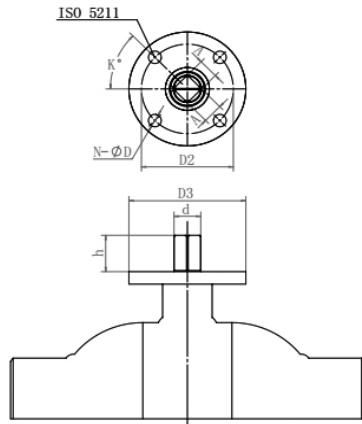


* Operating temperature range: -30°C ~ +200°C .
* For other materials and special requirements, please consult the factory or the local offices.

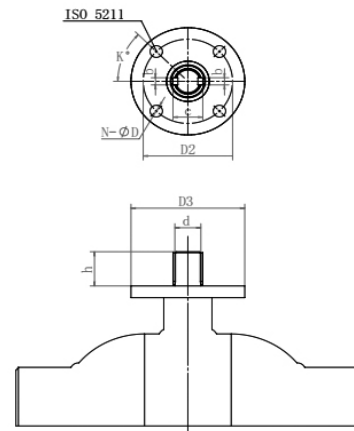
Dimensions/Weights															
In	D	H	L	H1	H2	H3	I	J	K	E	F	N-d	Kvs	Lbs	Kg
24	590	805	1143	546	540	125	718	770	840	56	5	20-Φ41	29000	2838	1287
28	685	965	1346	625	635	146	815	875	955	60	5	24-Φ48	35000	5089	2308
32	780	1120	1524	702	710	157	930	990	1070	64	5	24-Φ48	52000	7246	3286
36	874	1280	1727	790	810	157	1025	1090	1180	66	5	28-Φ54	58000	10330	4685
40	976	1410	1900	865	885	187	1140	1210	1305	68	5	28-Φ58	75000	13662	6196
48	1166	1570	2180	965	980	187	1350	1420	1525	72	5	32-Φ58	108000	18908	8575

* Please consult the engineers for full-bore dimensions.

Top Flange Dimensions



Floating Ball



Floating Ball & Fixed Ball
(5" and Above)

Flange Dimensions of The Floating Ball Structure

In	d	h	A	b	c	D2	D3	K	N-ΦD	ISO 5211
1½"	20	19	16	-	-	70	90	45	4-Φ10	F07
2"	20	19	16	-	-	70	90	45	4-Φ10	F07
2½"	20	19	16	-	-	70	90	45	4-Φ10	F07
3"	28	30	23	-	-	102	125	45	4-Φ12	F10
4"	28	30	23	-	-	102	125	45	4-Φ12	F10
5"	28	30	23	-	-	102	125	45	4-Φ12	F10
6"	40	42	30	-	-	125	150	45	4-Φ14	F12
8"	40	42	30	-	-	140	175	45	4-Φ18	F14
10"	42	65	-	14	55	165	210	45	4-Φ23	F16

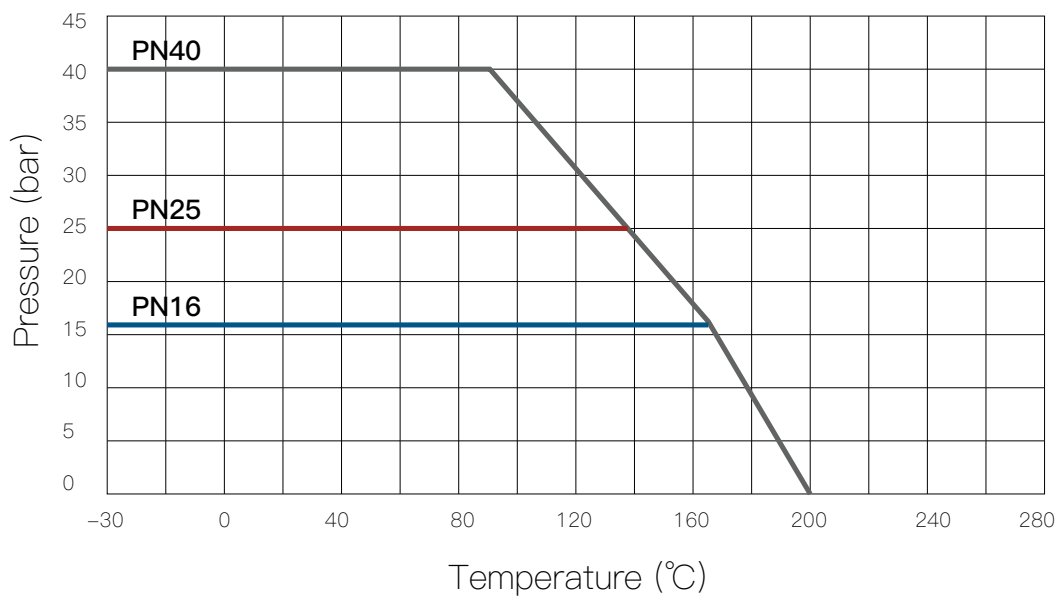
Flange Dimensions of The Fixed Ball Structure

In	d	h	A	b	c	D2	D3	K	N-ΦD	ISO 5211
5"	28	38	-	8	34	102	125	45	4-Φ12	F10
6"	32	45	-	10	38	125	140	45	4-Φ14	F12
8"	36	47	-	10	42	125	140	45	4-Φ14	F12
10"	40	58	-	12	46	140	175	45	4-Φ18	F14
12"	48	68	-	14	52	165	210	45	4-Φ23	F16
14"	55	76	-	16	63	200	255	22.5	8-Φ18	F25
16"	60	82	-	18	68	220	255	22.5	8-Φ18	F25
18"	65	84	-	18	73	254	300	22.5	8-Φ18	F25
20"	70	96	-	20	79	254	300	22.5	8-Φ18	F25
24"	85	115	-	22	95	298	350	22.5	8-Φ23	F30
28"	95	132	-	25	105	298	350	22.5	8-Φ23	F30
32"	105	140	-	28	117	298	350	22.5	8-Φ23	F30
36"	115	155	-	32	129	356	415	22.5	8-Φ33	F35
40"	130	165	-	32	144	356	415	22.5	8-Φ33	F35
48"	140	180	-	36	156	483	560	15	12-Φ27	F48

Operating Torques

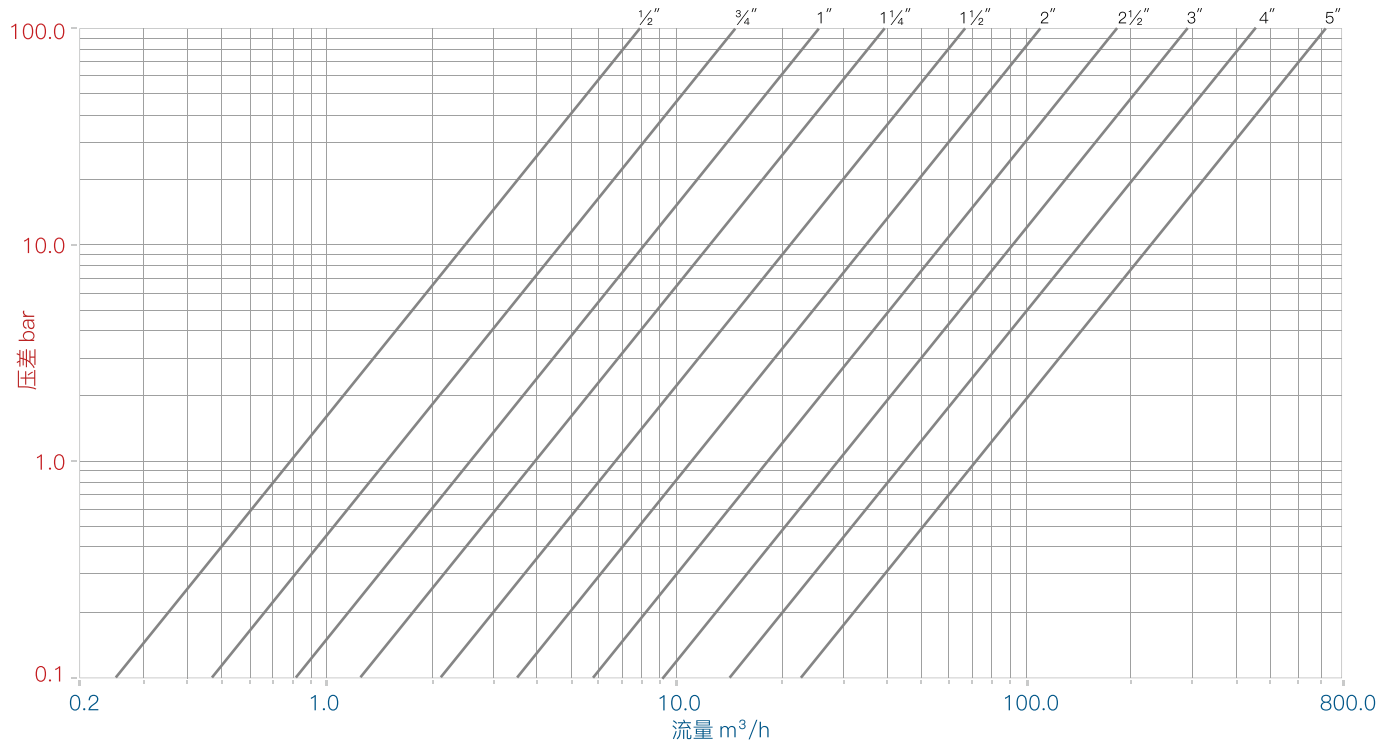
Dimension	Torque Value of The Floating Ball Valve (Nm)			Torque Value of The Fixed Ball Valve (Nm)	
	PN16	PN25	PN40	PN16	PN25
In					
¾"	7	10	18	-	-
1"	8	12	21	-	-
1¼"	12	17	29	-	-
1½"	17	25	43	-	-
2"	21	32	55	-	-
2½"	33	52	-	-	-
3"	59	91	-	-	-
4"	121	179	-	-	-
5"	193	305	-	-	-
6"	283	443	-	270	414
8"	558	857	-	400	621
10"	1133	1725	-	628	966
12"	1926	2967	-	987	1518
14"	-	-	-	1662	2553
16"	-	-	-	2781	4278
18"	-	-	-	3677	5658
20"	-	-	-	5382	8280
24"	-	-	-	6998	10764
28"	-	-	-	9060	13938
32"	-	-	-	10896	16767
36"	-	-	-	15519	23874
40"	-	-	-	21350	32844
48"	-	-	-	25116	38640

Pressure & Temperature Characteristics

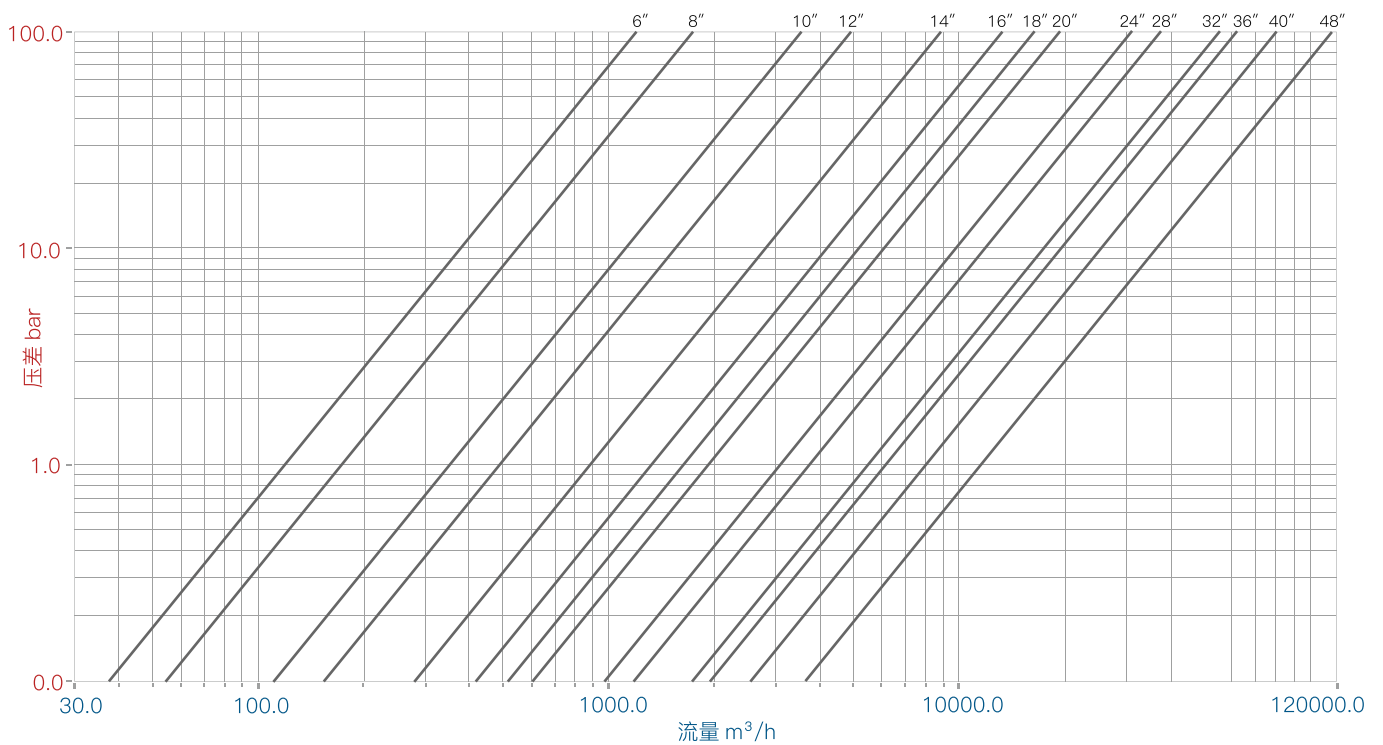


Kvs Values

½"-5"



6"-48"



Fire Protection

Resilient Wedge Gate Valve
Indicator Post
Butterfly Valve
Fire Hydrant
UL/FM



Oil Refining

Gate Valve
Globe Valve
Trunnion Ball Valve
High Performance Butterfly Valve
Plug Valve
API 609 API 6D



Power Plant

Metal Seal Ball Valve
Gate Valve
Globe Valve
Needle Valve
CS, FS, SS



Shipping

Bronze Valve
Butterfly Valve
Gate Valve
Ball Valve
Check Valve



Our Business



HVAC Systems

Hydraulic Balancing Valve
Differential Pressure Valve
Motorized Valve
Temperature Control
Bronze Valve & Iron Valve



Water Treatment

Flanged Butterfly Valve
Knife Gate Valve
Check Valve



Chemical

Bellows Globe Valve
Angle Valve
Metal Seal Ball Valve
High Performance Butterfly Valve



Irrigation

Solenoid Control Valve
Pressure Reducing Valve
Pressure Relief Valve
Diaphragm Valve
Butterfly Valve
Gate Valve





TALOR[®]

TALOR INC.,

1220N.Market Street,
Delaware,USA.
PHONE: +1/302.327.8999
www.taloor.com